

# MODERNSOLID

Ease Series



## JUST ONE FINGER !

**Ease Series**  
Free up your workspace

**MODERNSOLID INDUSTRIAL CO., LTD.**

NO.185, Ziqiang Rd., Wuqi Dist., Taichung City 435054, Taiwan.  
TEL: 886-4-26397717 / 886-4-26398669 (Rep.) / FAX: 886-4-26398333  
Website: [www.modernsolid.com](http://www.modernsolid.com) / E-mail: [info@modernsolid.com.tw](mailto:info@modernsolid.com.tw)

2024.10



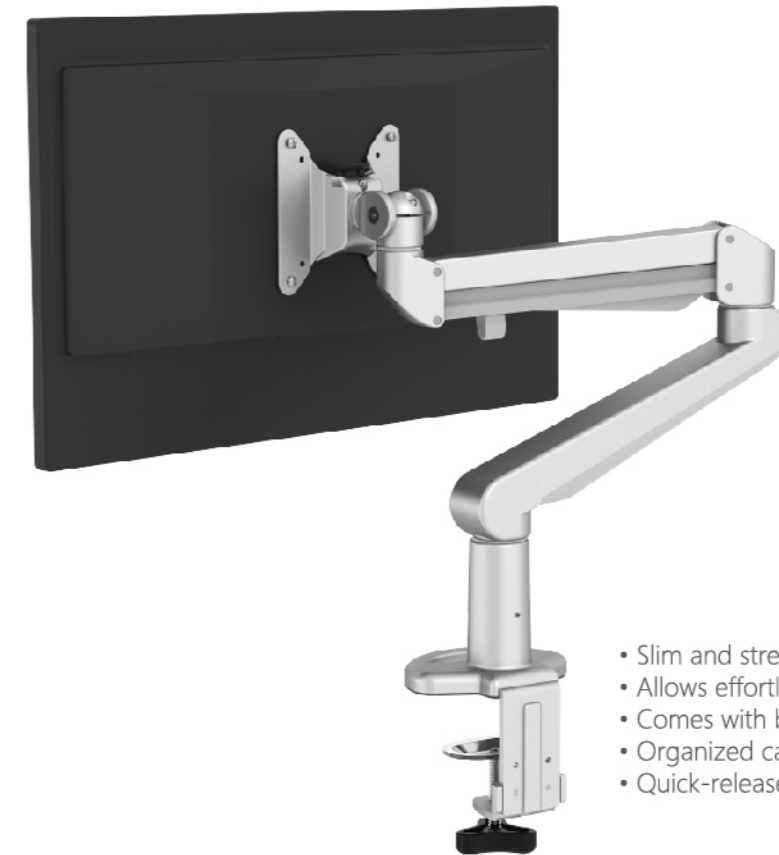
[modernsolid.com](http://modernsolid.com)



**MODERNSOLID**

# Desk Mount

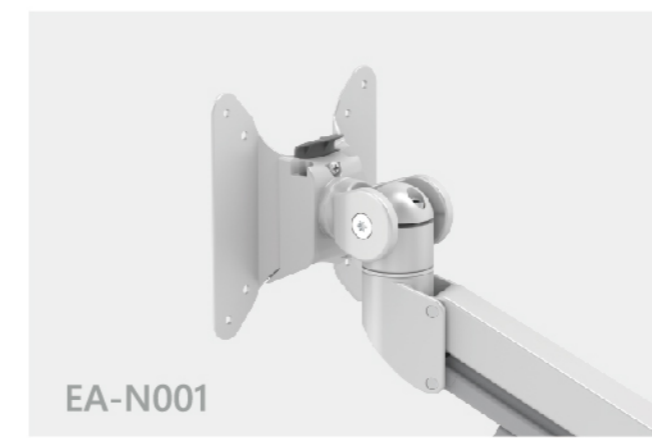
>> Single Monitor Arm



Color  
■ ■ ■

- Slim and streamlined design frees up desk space.
- Allows effortless adjustment for viewing comfort.
- Comes with both desk clamp and grommet mount.
- Organized cable management gives a neat look.
- Quick-release VESA enables easy installation.

## VESA Features



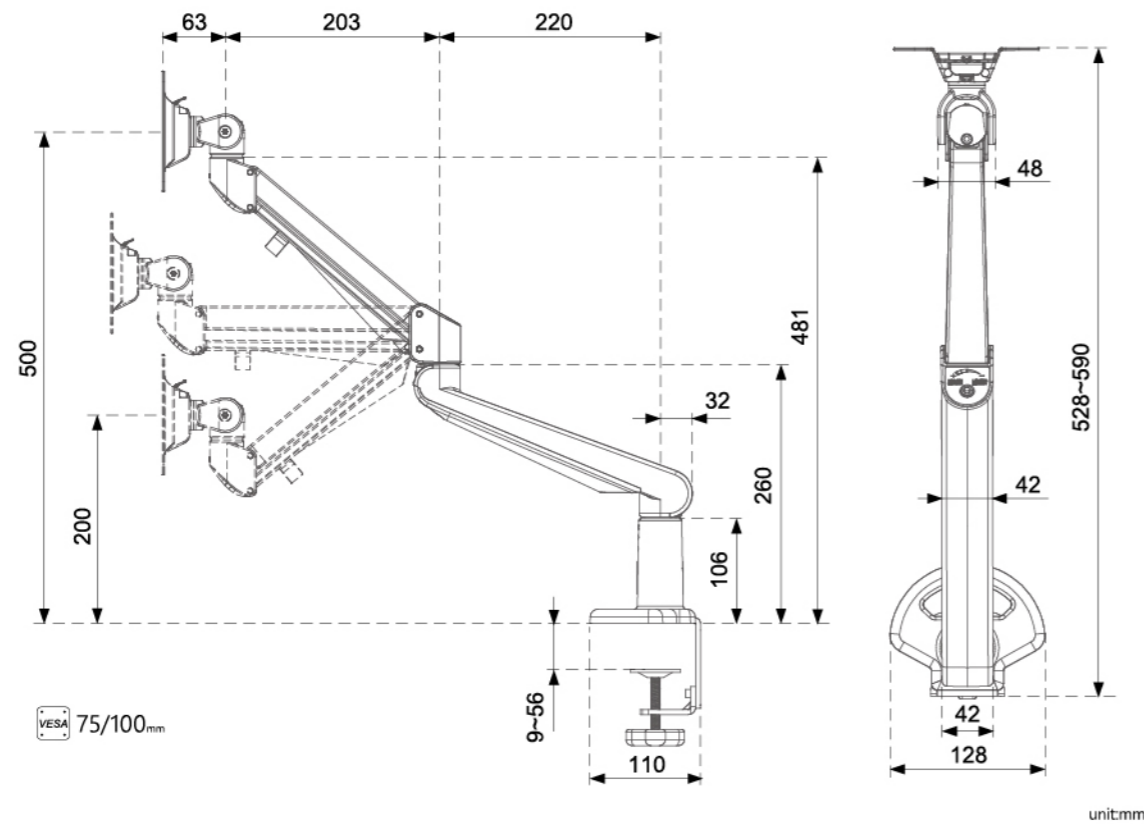
# ED-BA1XX / ED-NA1XX Series

Gas Spring inside



- ED-BA111**  
max 3~8kg (6.6~17.6lbs)
- ED-BA111W**  
max 1.5~4kg (3.3~8.8lbs)

- New Clamp Type
- ED-NA111**  
max 3~8kg (6.6~17.6lbs)

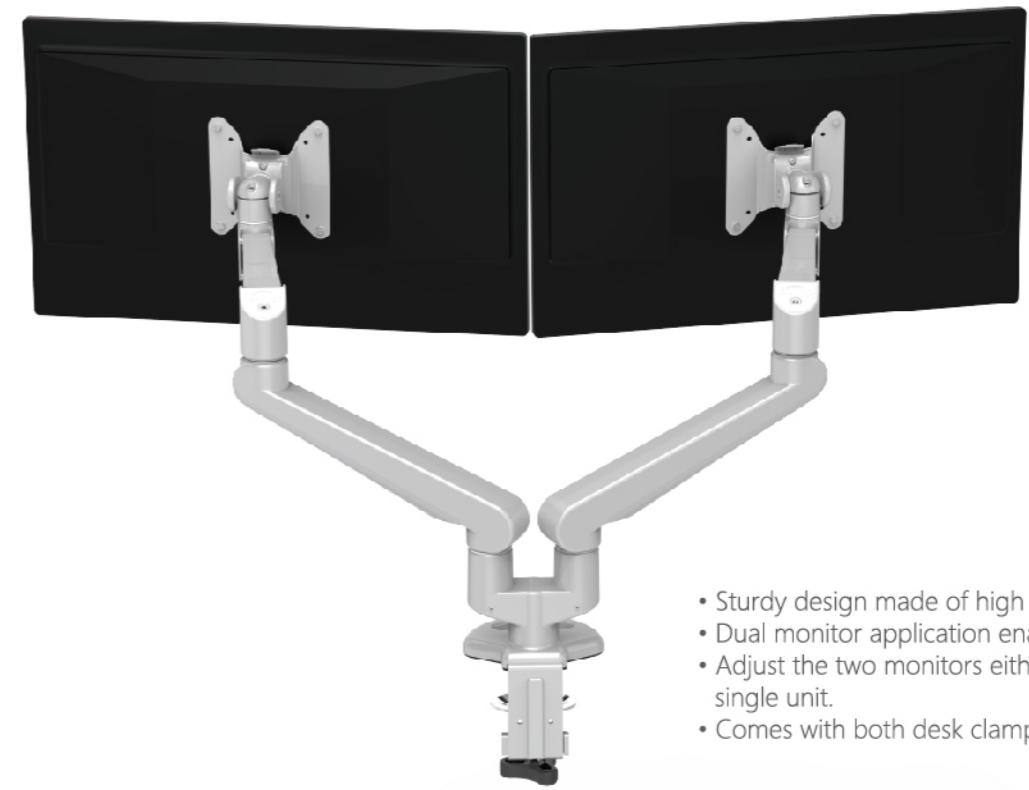


- ED-BA113**  
max 3~8kg (6.6~17.6lbs)
- ED-BA113W**  
max 1.5~4kg (3.3~8.8lbs)

- New Clamp Type
- ED-NA113**  
max 3~8kg (6.6~17.6lbs)

# Desk Mount

>> Dual Monitor Arm

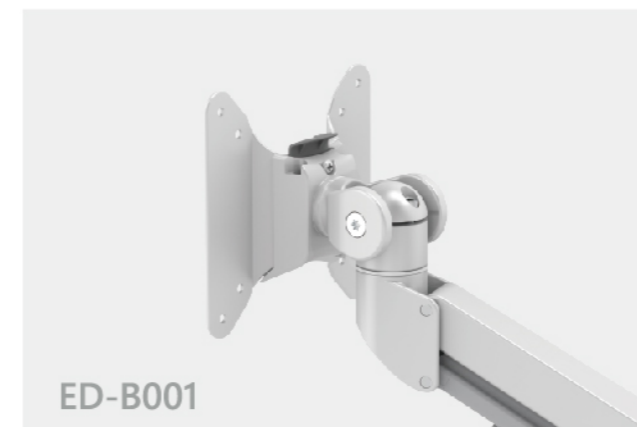


Color



- Sturdy design made of high quality aluminum alloy.
- Dual monitor application enables greater productivity.
- Adjust the two monitors either independently or as a single unit.
- Comes with both desk clamp and grommet mount.

## VESA Optional



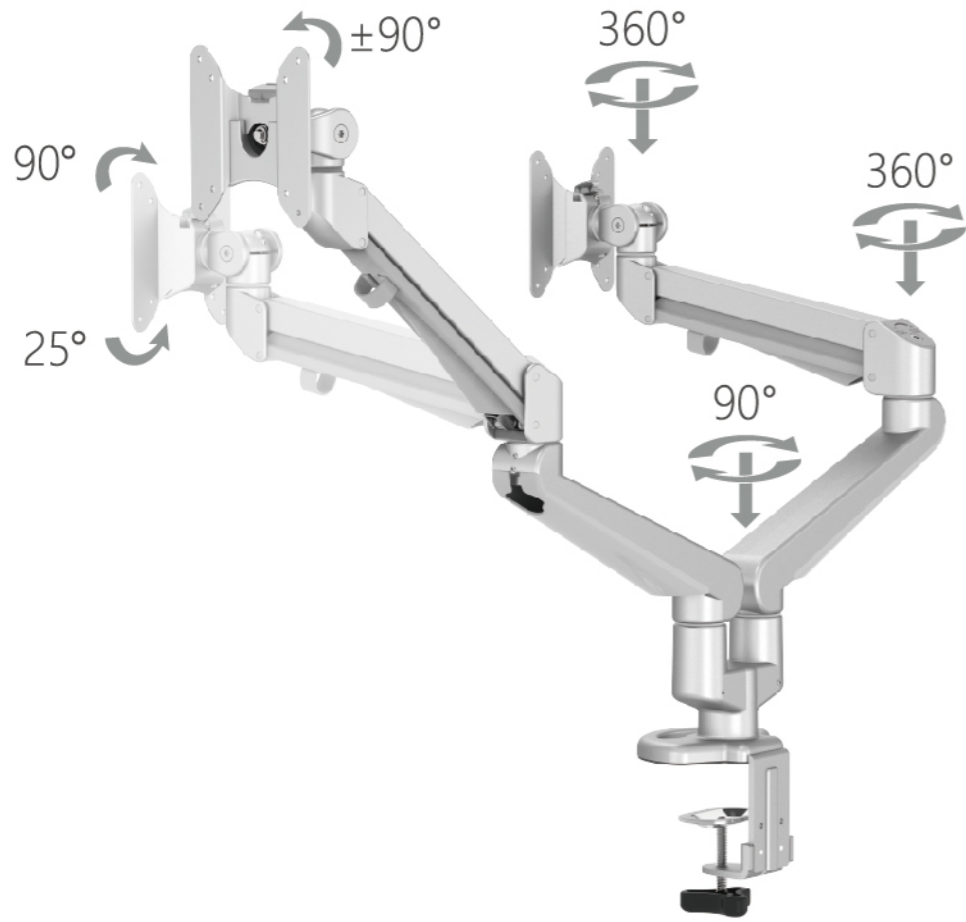
ED-B001



ED-B002

# ED-BA115 Series

Gas Spring inside

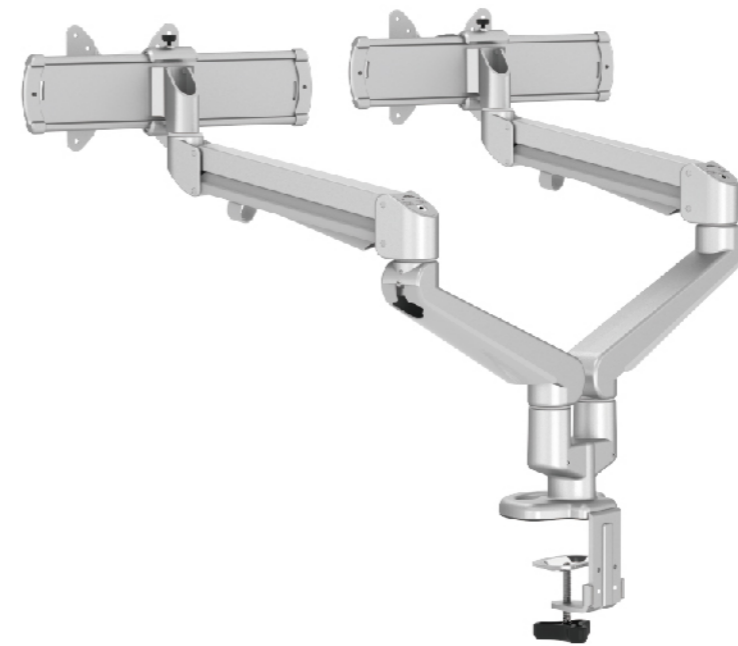
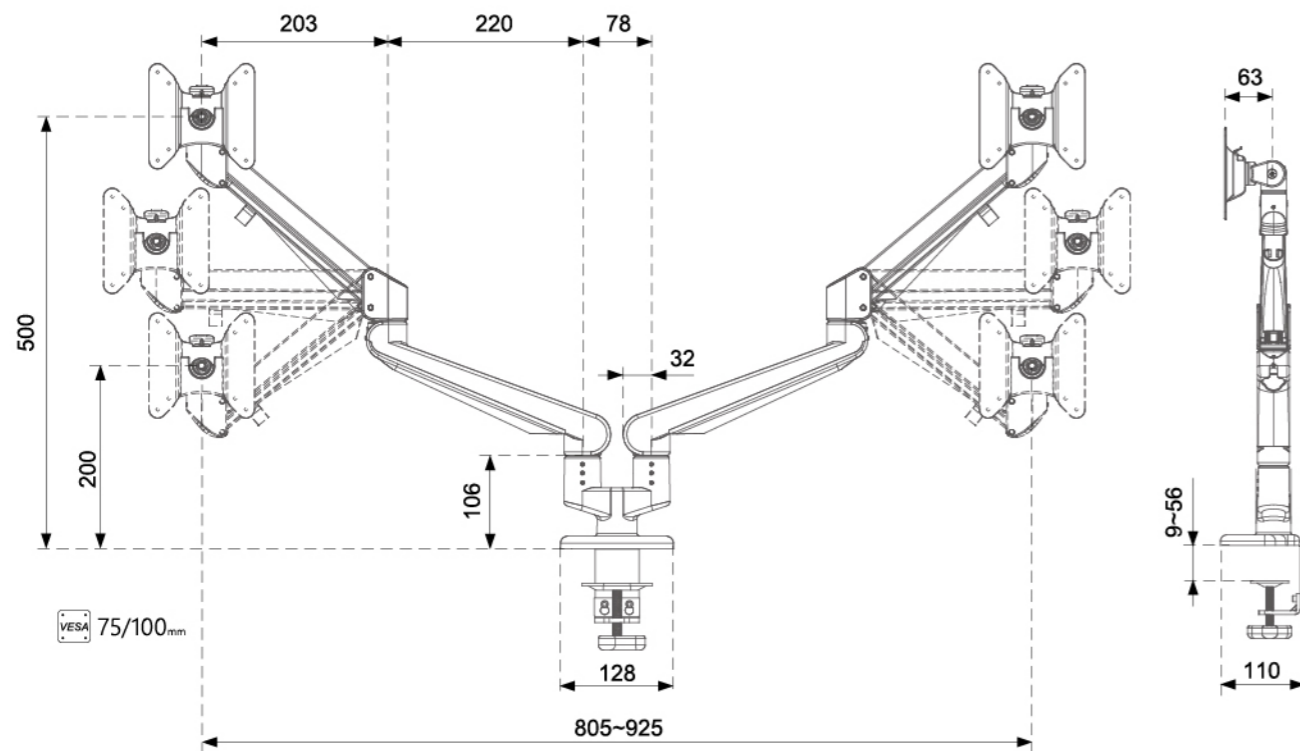


## ED-BA115

max 3~8<sub>kg</sub> (6.6~17.6<sub>lbs</sub>) / single arm

## ED-BA115W

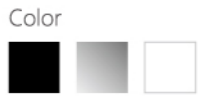
max 1.5~4<sub>kg</sub> (3.3~8.8<sub>lbs</sub>) / single arm



## ED-BA115MS

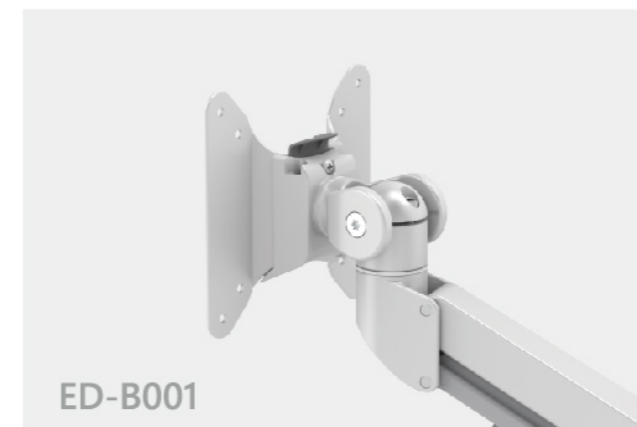
max 2.5~7.5<sub>kg</sub> (4.4~16.5<sub>lbs</sub>) / single arm

# Pole Mount

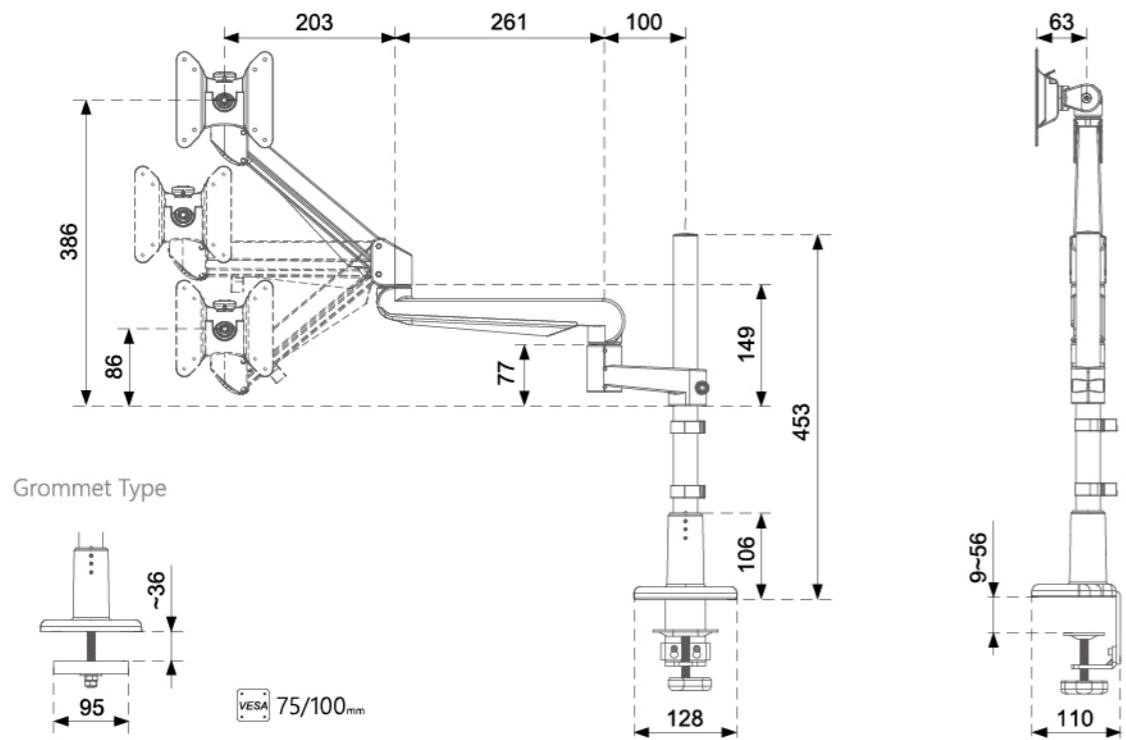
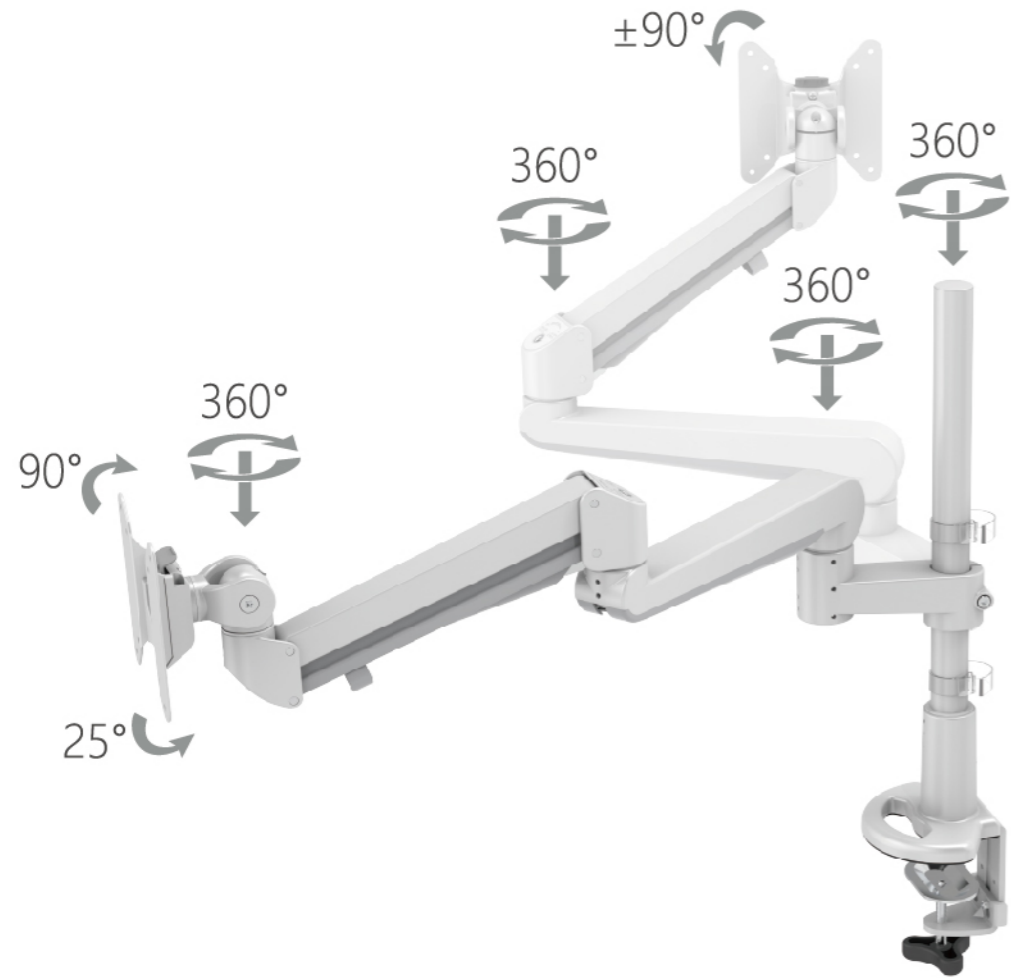


- Pole mount type provides the variety of configuration from single screen to multiple screens for fitting the different application needs of workplace.
- Small desk mount saves the desk space with clean look.
- Cable management.

## VESA Optional



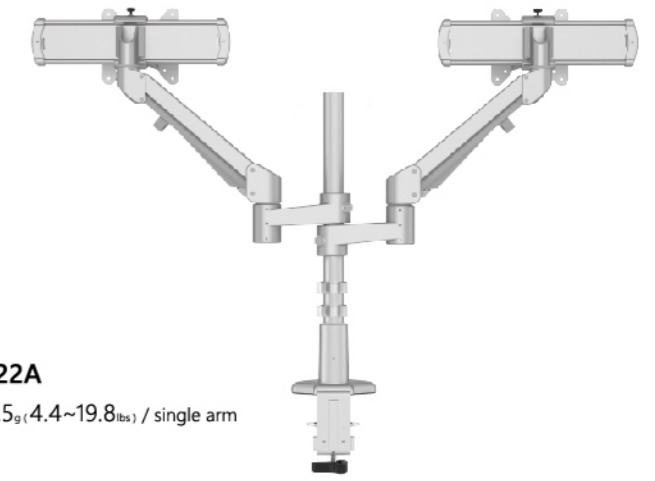
# ED-BA3XX Series Gas Spring inside



unit:mm



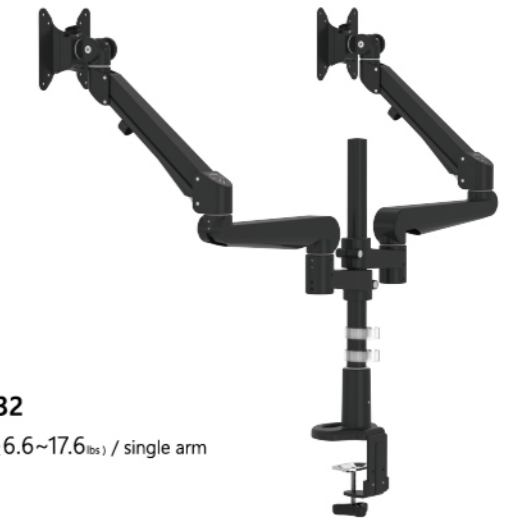
**ED-BA321**  
 max 3~8kg (6.6~17.6lbs) / single arm



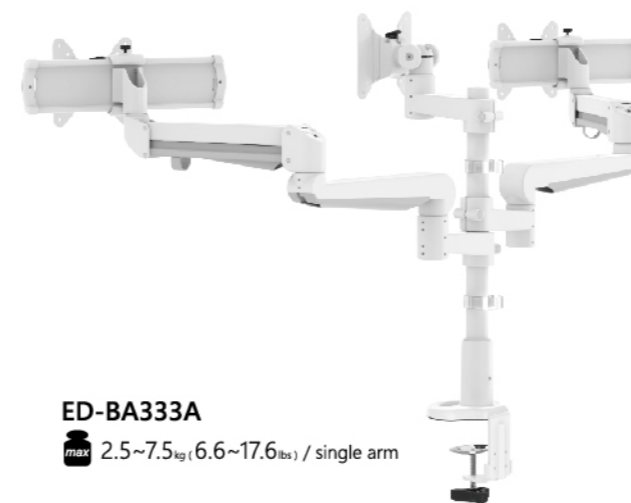
**ED-BA322A**  
 max 2.5~7.5g (4.4~19.8lbs) / single arm



**ED-BA331**  
 max 3~8kg (6.6~17.6lbs) / single arm



**ED-BA332**  
 max 3~8kg (6.6~17.6lbs) / single arm



**ED-BA333A**  
 max 2.5~7.5g (6.6~17.6lbs) / single arm



**ED-BA336A**  
 max 2.5~7.5g (4.4~19.8lbs) / single arm

# ED-BA5XX Series

# ED-BA5XX Series

**ED-BA51-3**  
 max ~8kg (~17.6lbs) / single arm



**ED-BA51-2**  
 max ~8kg (~17.6lbs) / single arm



**ED-BA51-1**  
 max ~8kg (~17.6lbs) / single arm



**ED-BA515-1**  
 max ~8kg (~17.6lbs) / single arm



**ED-BA516A-1**  
 max ~7.5kg (~16.5lbs) / single arm

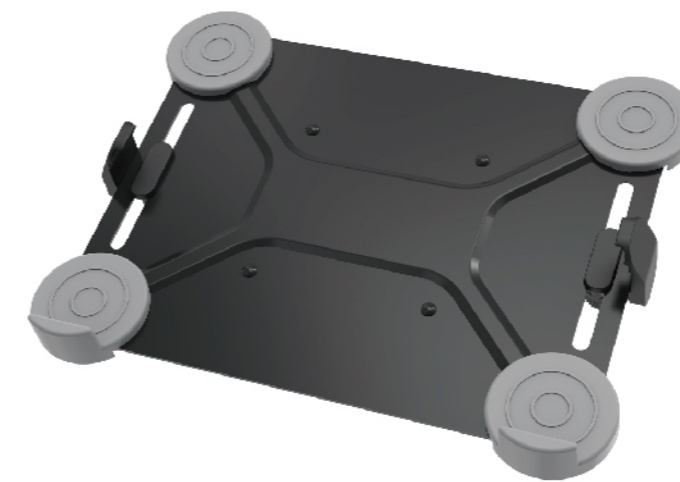
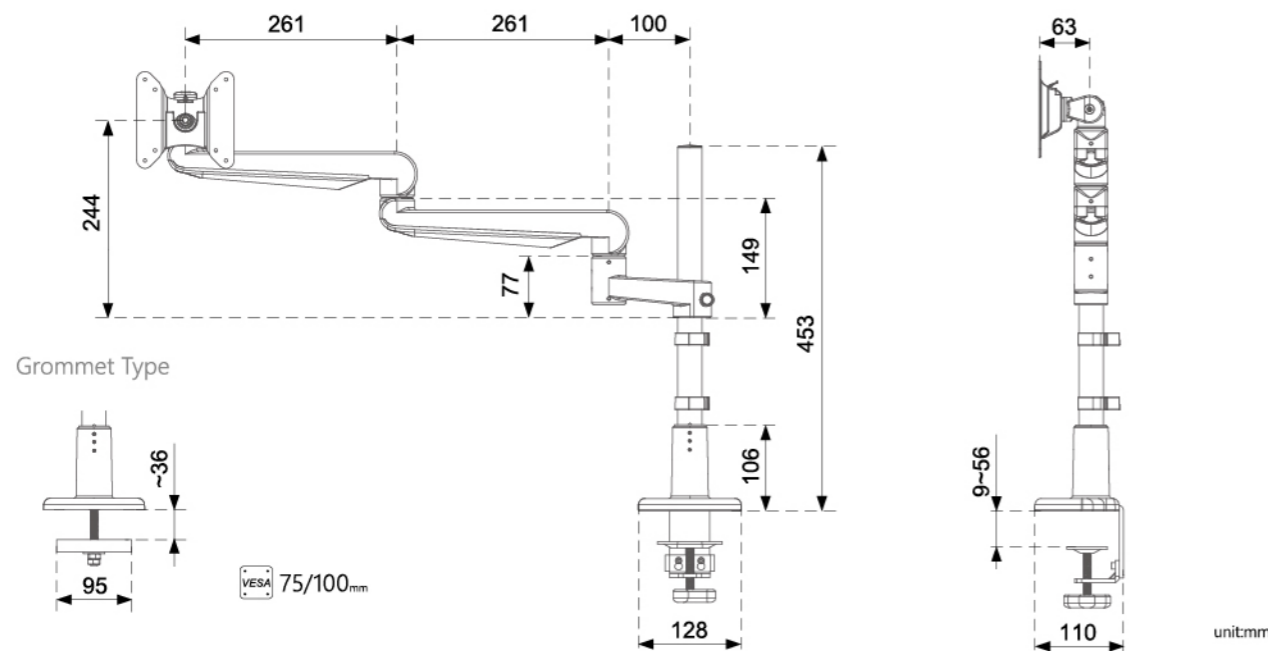


**ED-BA518A-1**  
 max ~7.5kg (~16.5lbs) / single arm

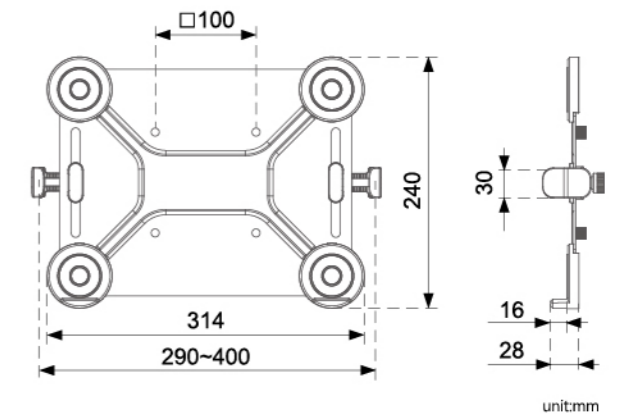


## Optional Laptop Mount Tray

- Add the notebook tray to LCD mount that uses 100 x 100mm VESA to create an ergonomic workstation for your notebook.
- Notebook/laptop size: ~16"



**OP-050**  
 VESA 100mm  
 Color: Black, Grey, White





# Universal Slats Mount / Wall Mount




## ED-B119 Series



**ED-B119W**  
 1.5~4 kg (3.3~8.8 lbs)

**ED-B119**  
 3~8 kg (6.6~17.6 lbs)




**ED-B119A**  
 3~8 kg (6.6~17.6 lbs)

## ED-B151 Series



**ED-B151W**  
 1.5~4 kg (3.3~8.8 lbs)

**ED-B151**  
 3~8 kg (6.6~17.6 lbs)

# Heavy Duty Mount

>> EA-N1XX



**EA-N111V**

max 7~12kg (15.4~26.4lbs)

Color



- Supports heavier monitors 7-12kg.
- Quick-release VESA enables easy installation.
- Gas spring assisted helps easy height adjustment for viewing comfort.
- Organized cable management gives a neat look.
- Comes with both desk clamp and grommet mount.

## VESA Features



# Heavy Duty Mount

>> EA-2XX

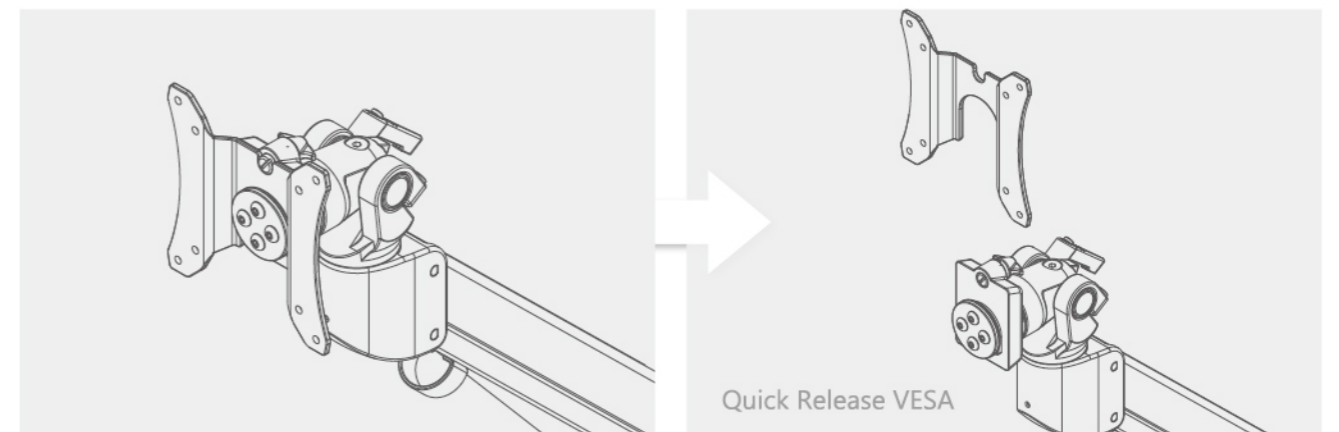


Color



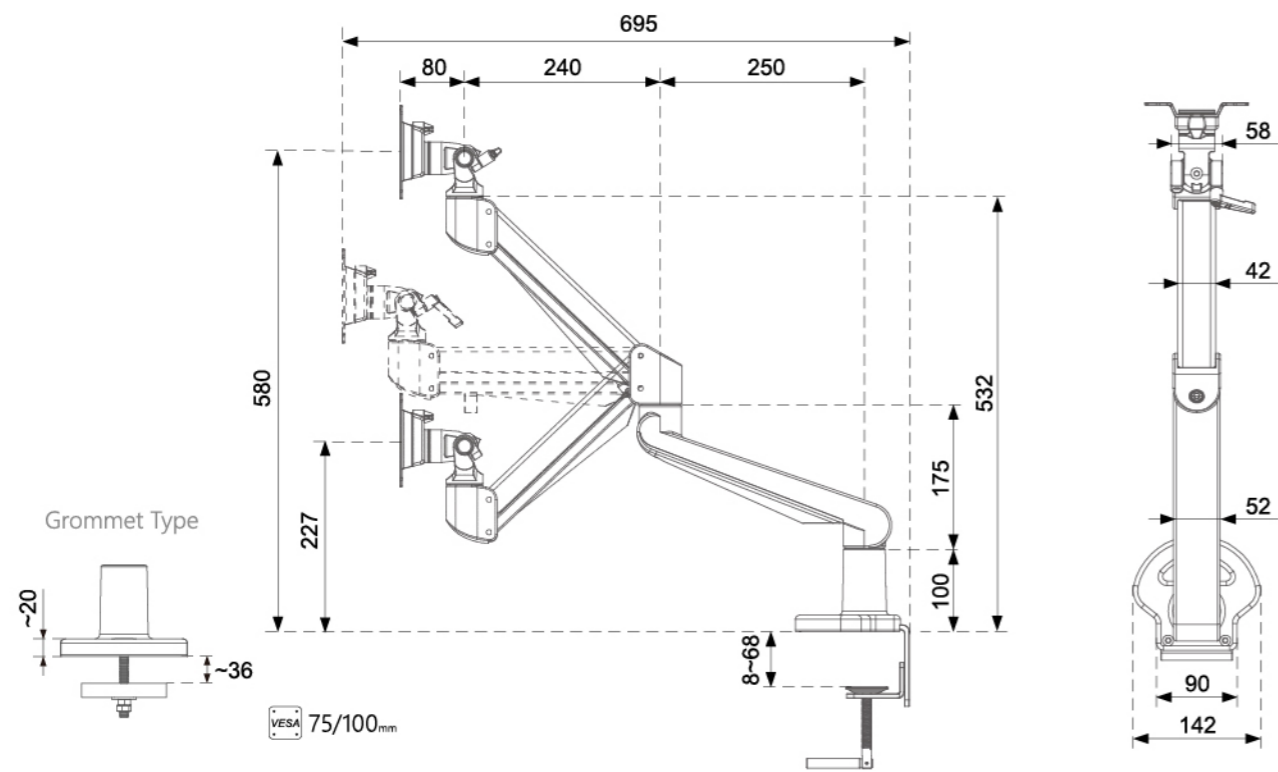
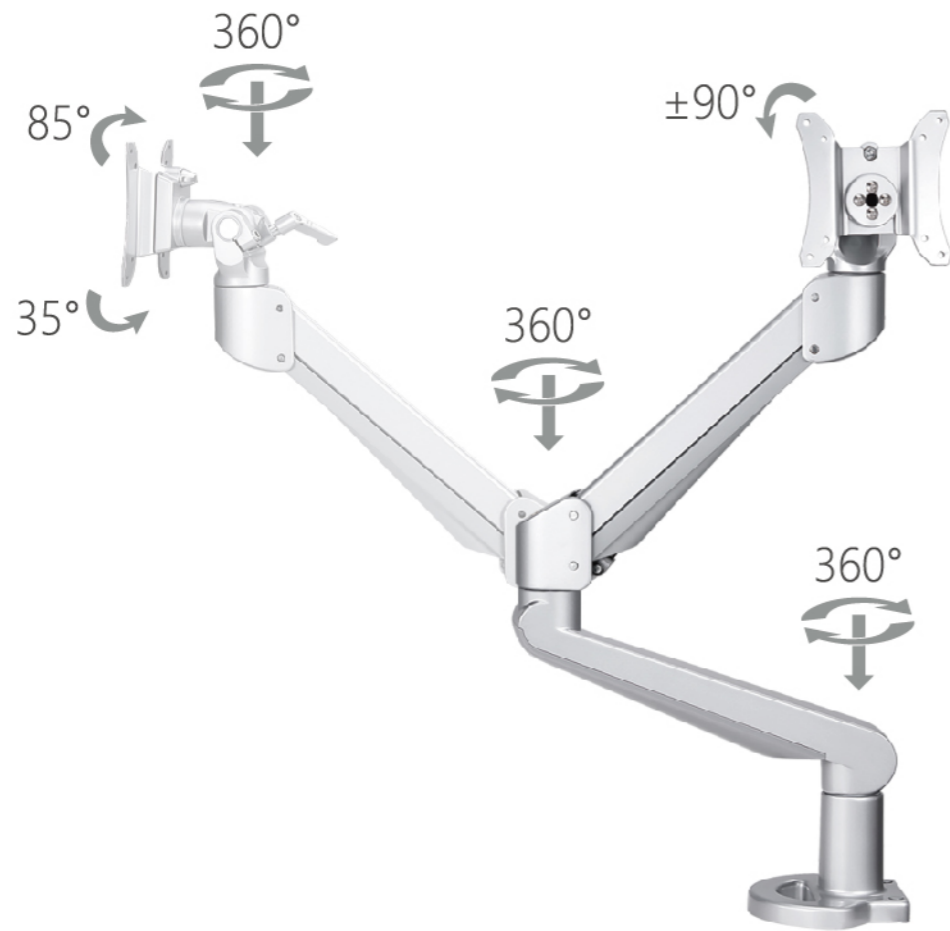
- Supports heavier monitors 8-19kg.
- Quick-release VESA enables easy installation.
- Gas spring assisted helps easy height adjustment for viewing comfort.
- Organized cable management gives a neat look.
- Comes with both desk clamp and grommet mount.

## VESA Features



# EA-2XX Series

Gas Spring inside



unit:mm



**EA-211**  
 max 8~19kg (17.6~41.8lbs)



**EA-215**  
 max 8~19kg (17.6~41.8lbs) / single arm



**EA-212**  
 max 6.5~16.5kg (14.3~36.3lbs)