



## Mounting and Mobility Solutions for **Healthcare**

### MODERNSOLID INDUSTRIAL CO., LTD.

NO.185, Ziqiang Rd., Wuqi Dist., Taichung City 435054, Taiwan.  
TEL: 886-4-26397717 / 886-4-26398669 (Rep.) / FAX: 886-4-26398333  
Website: [www.modernsolid.com](http://www.modernsolid.com) / E-mail: [info@modernsolid.com.tw](mailto:info@modernsolid.com.tw)

2024.11



[modernsolid.com](http://modernsolid.com)



# New Computing Cart



- Offer full sit-to-stand functionality.
- It is a point of care solution allows to work anywhere in hospital.
- Lockable medication drawer with the trolley offers a safe and convenient healthcare providing.
- Tiltable keyboard tray allows users to have a comfort posture base on their need.
- Applicable for laptops, single monitor, dual monitor, or devices.



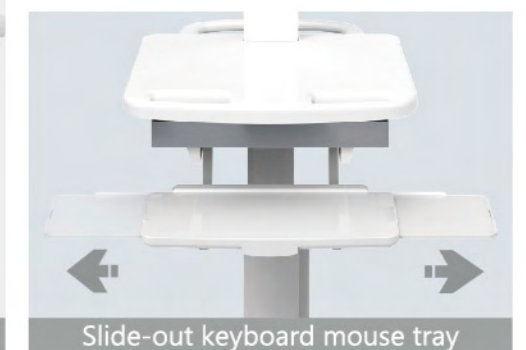
Cable Management



Quick monitor installation



Tiltable keyboard



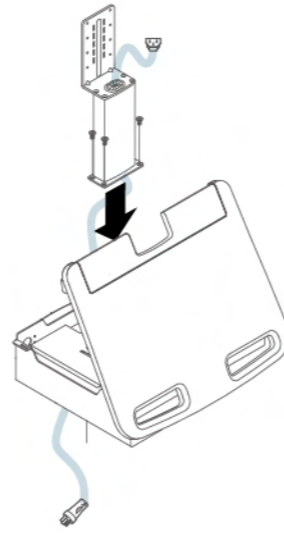
Slide-out keyboard mouse tray

# HC-180 Series

Gas Spring inside



**HC-181**  
max 5~10kg (11~22lbs)



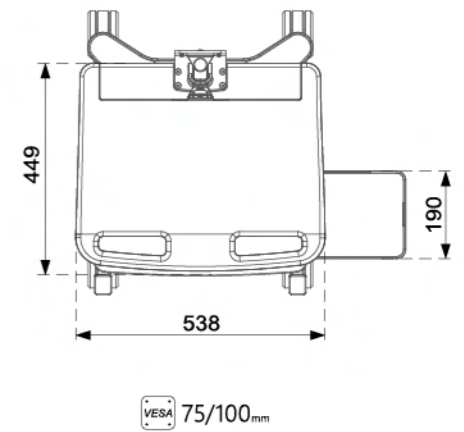
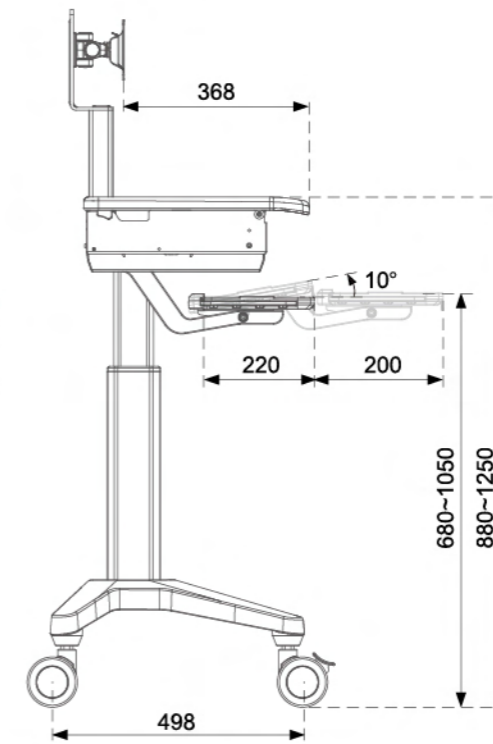
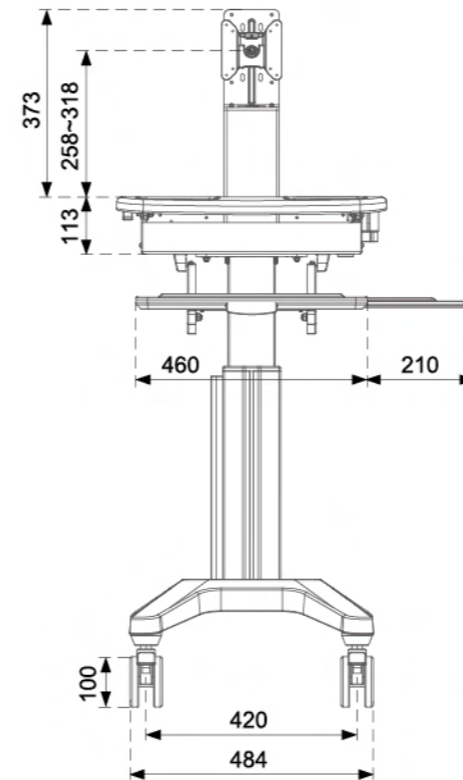
Easy Cable Installation and Replacement



**HC-180**  
max 1~5kg (22~11lbs)



**HC-182**  
max 10~15kg (22~33lbs)



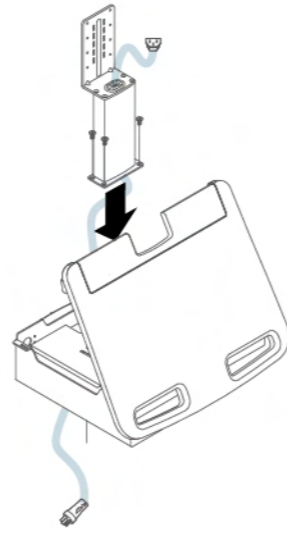
unit:mm

# HC-170 Series

Gas Spring inside



**HC-171**  
max 5~10kg (11~22lbs)



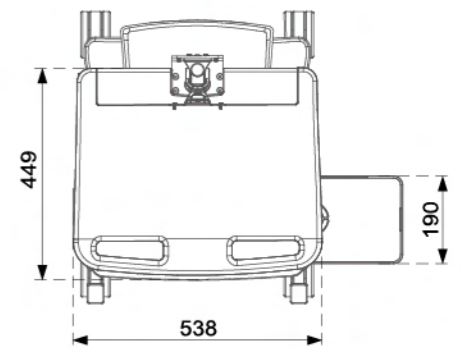
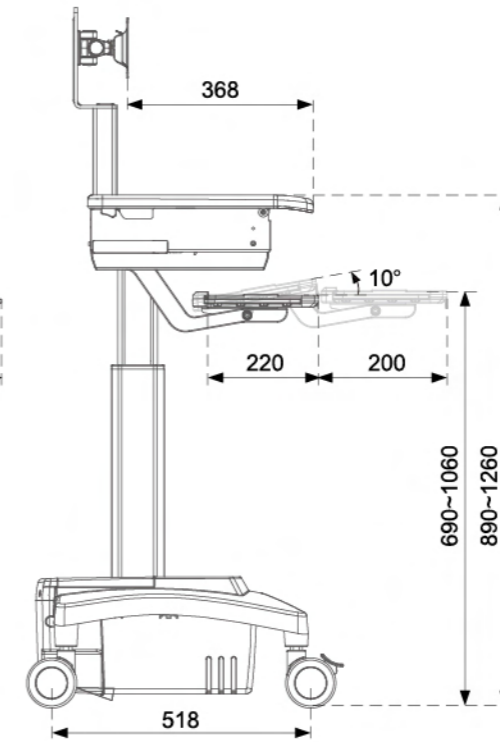
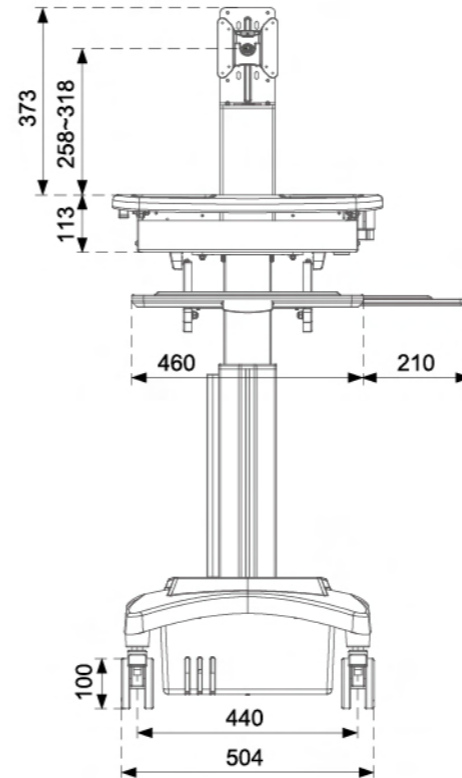
Easy Cable Installation and Replacement



**HC-170**  
max 1~5kg (2.2~11lbs)



**HC-172**  
max 15~20kg (33~44lbs)



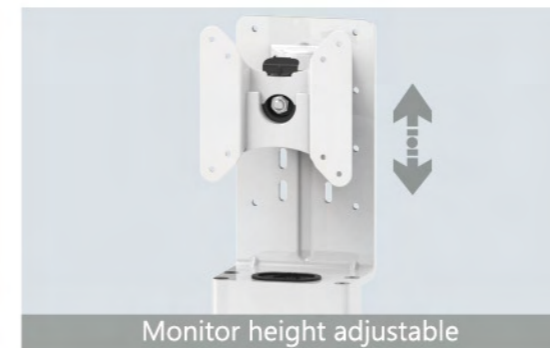
VESA 75/100mm

unit:mm

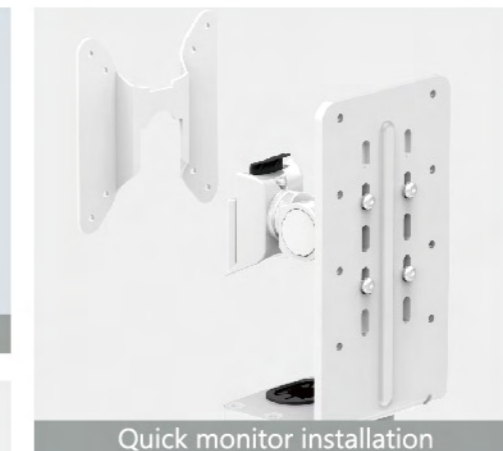
# Mobile Computing Cart



- Accommodates flexible configurations: Laptop, CPU and monitor, All-In-One computers, etc.
- Improved workflow efficiency and better patient care.
- Height adjustable to accommodate users of sitting and standing work postures.
- A lightweight size and small footprint for easy movement.
- Slide-out keyboard tray includes left to right sliding mouse tray.
- Organized cable management gives a neat look.



Monitor height adjustable



Quick monitor installation



Cable management



Laptop computer storage



Slide-out keyboard mouse tray



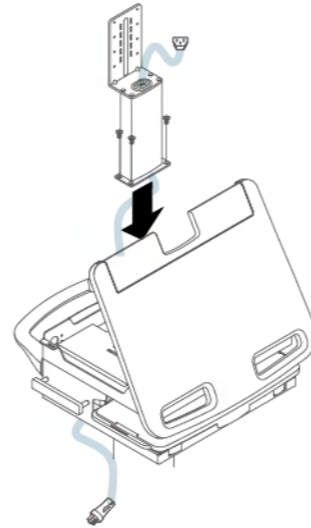
Stay stable on the slopes of 10°

# HC-100 Series

Gas Spring inside



**HC-N101**  
max 5~10kg (11~22lbs)



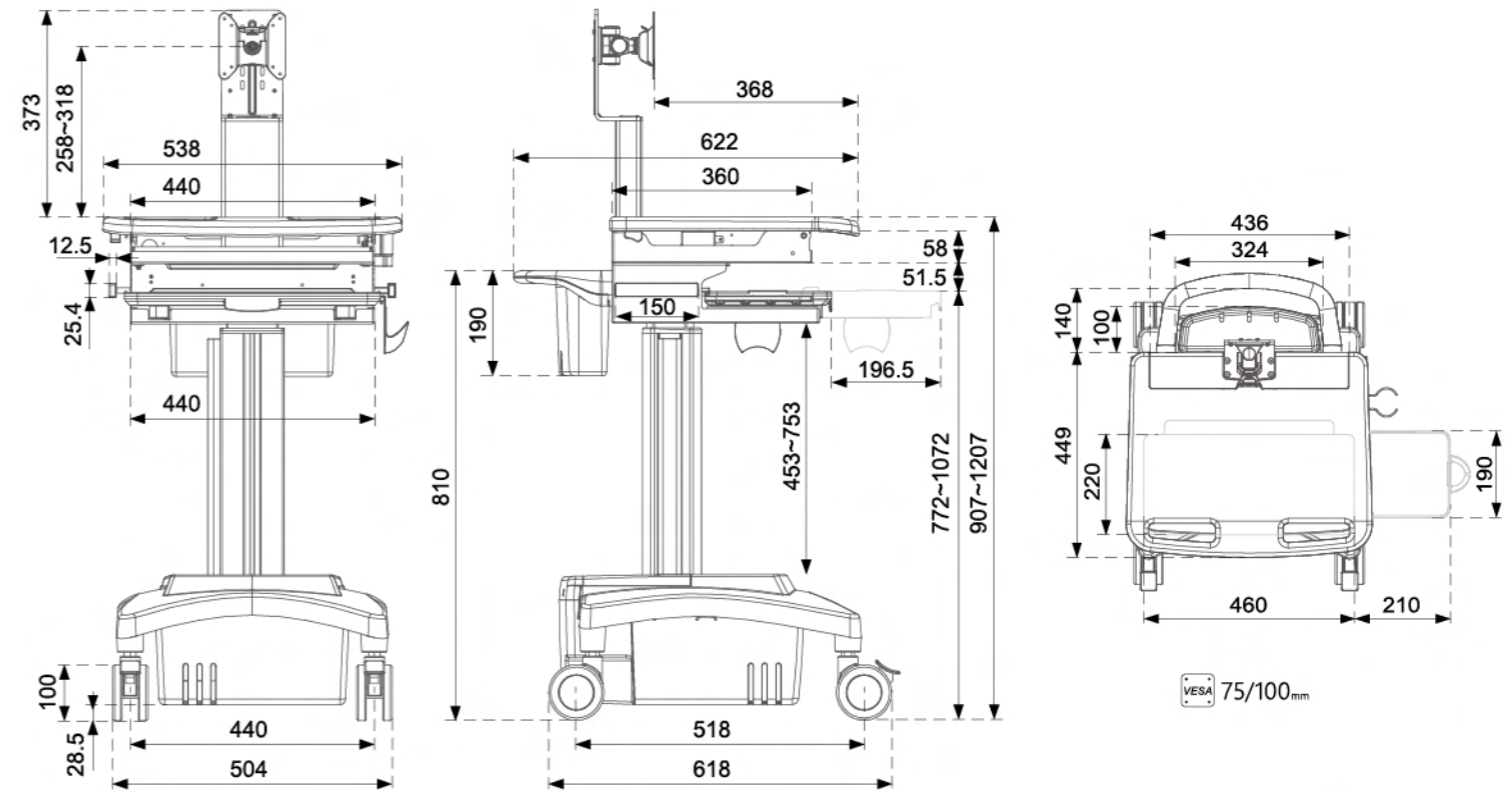
Easy Cable Installation and Replacement



**HC-100**  
max 1~5kg (2.2~11lbs)



**HC-N102**  
max 15~20kg (33~44lbs)

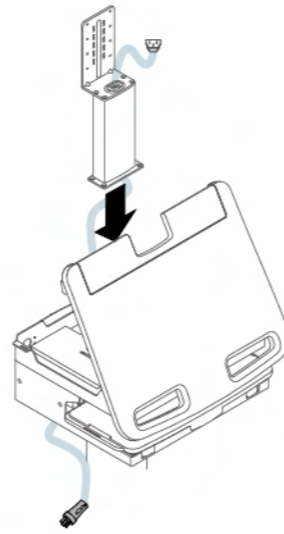


unit:mm

# HC-150 Series Gas Spring inside



**HC-N151**  
max 5~10kg (11~22lbs)



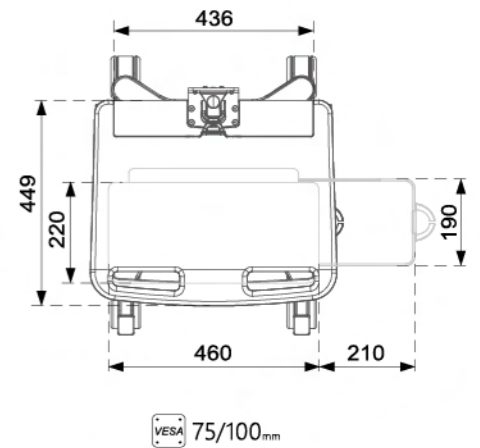
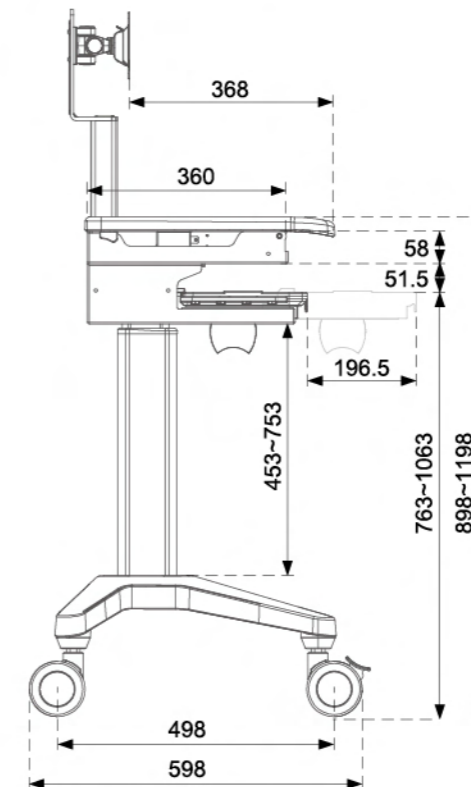
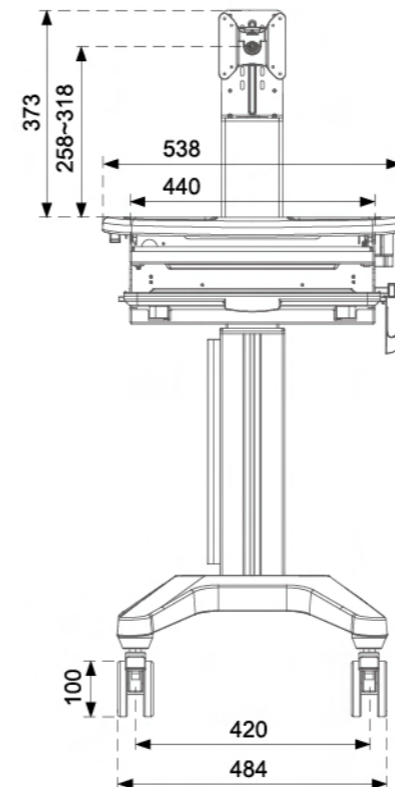
Easy Cable Installation and Replacement



**HC-150**  
max 1~5kg (22~11lbs)



**HC-N152**  
max 10~15kg (22~33lbs)



unit:mm

# HC-160 / 300 Series

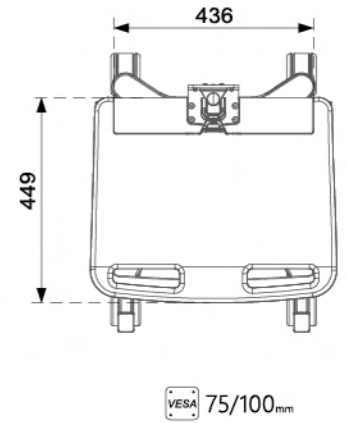
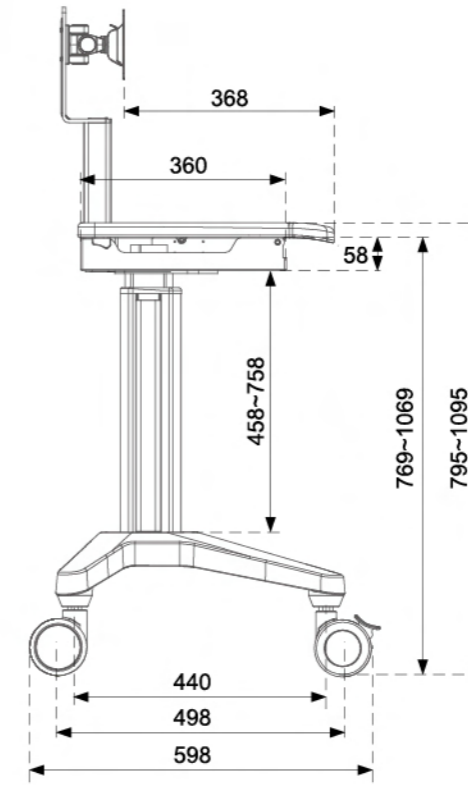
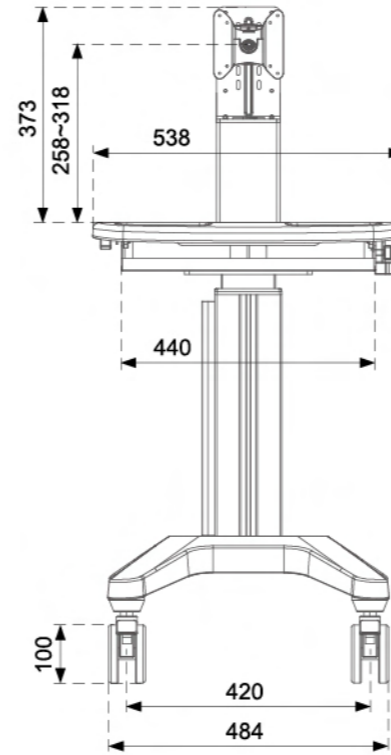
Gas Spring inside



**HC-160**  
max 1~5kg (22~11lbs)



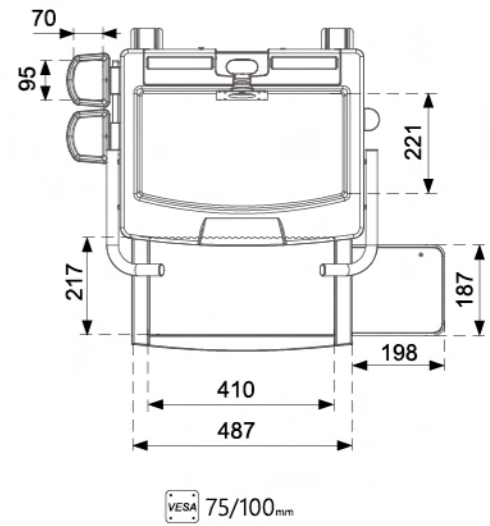
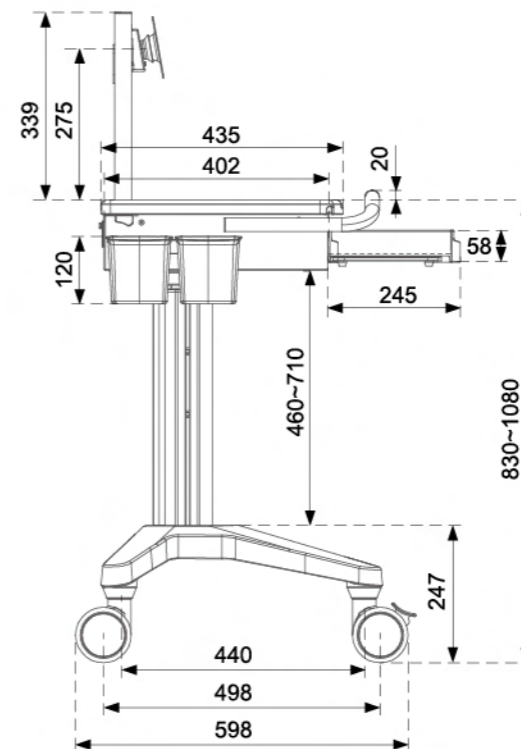
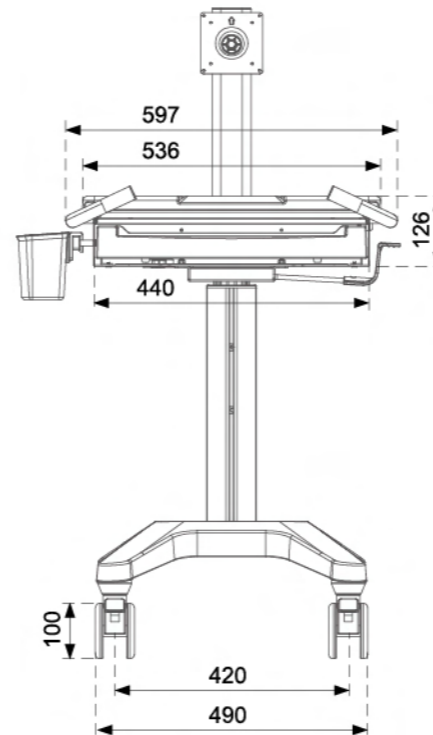
**HC-N161**  
max 5~10kg (11~22lbs)



**HC-300**  
max 1~5kg (22~11lbs)



**HC-301**  
max 5~10kg (11~22lbs)



unit:mm

# Simple Computing / Equipment Carts



- Apply for patient monitor, LCD Monitor and medical devices.
- The five-legged base offers a stable foundation.
- Optional accessories such as basket, handle, table board and holder.
- The simple and lightweight design offer effortless maneuverability
- Wheels with locking function are colored in bright yellow Intuitive design increases workflow efficiency.



# HC-350 / 360 Series

Gas Spring inside



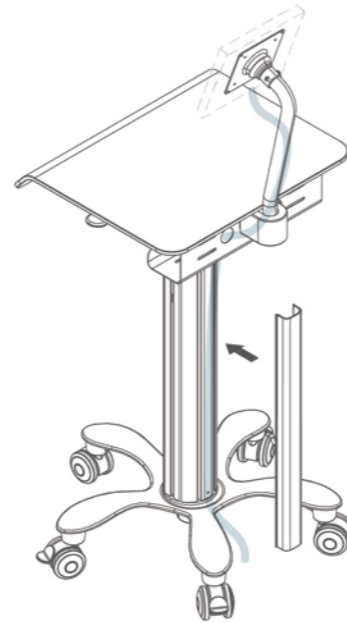
**HC-350**

max 1~8kg (2.2~17.6lbs)

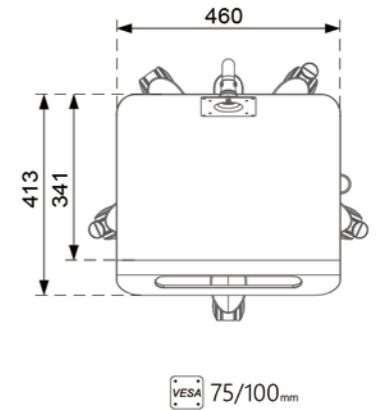
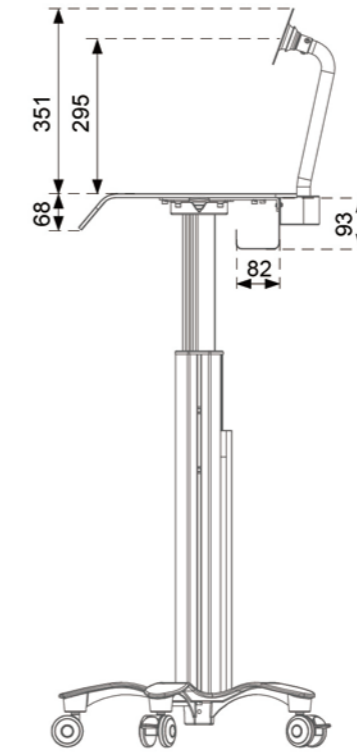
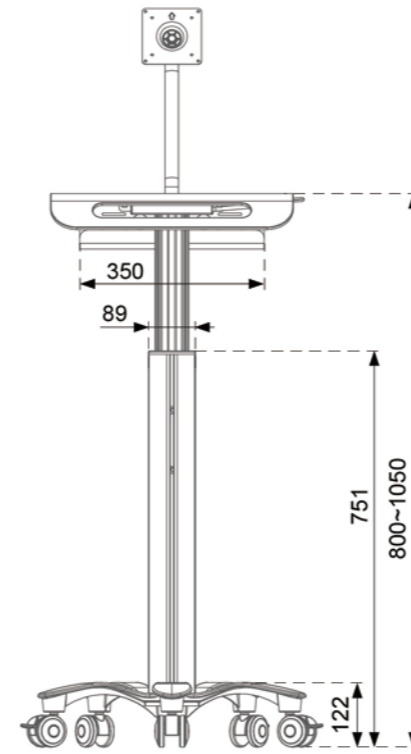


**HC-351**

max 1~8kg (2.2~17.6lbs) / ~5kg (~11lbs) monitor arm



Easy Cable Installation and Replacement



VESA 75/100mm



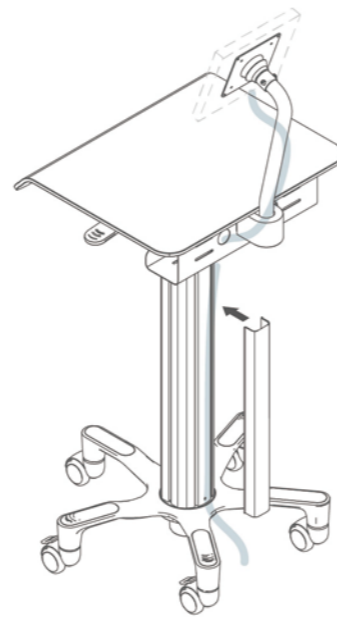
**HC-360**

max 1~8kg (2.2~17.6lbs)

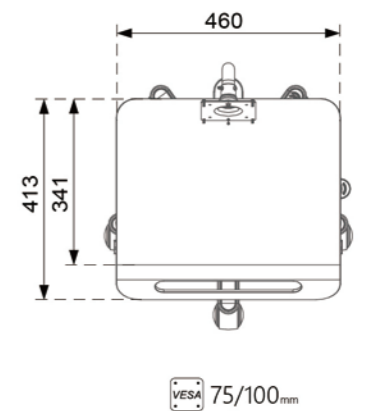
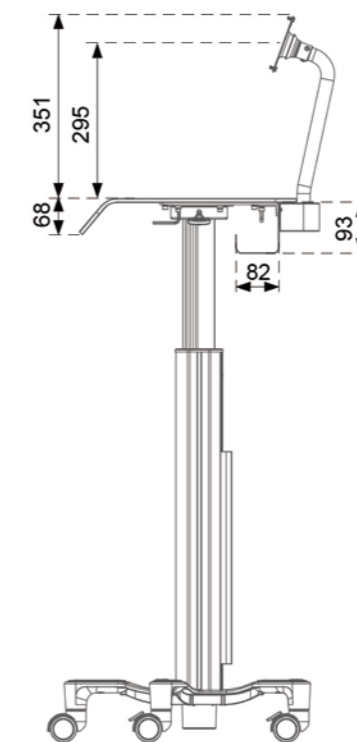
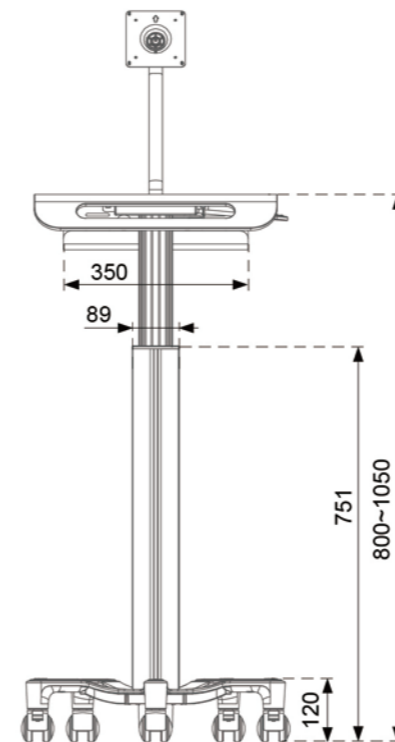


**HC-361**

max 1~8kg (2.2~17.6lbs) / ~5kg (~11lbs) monitor arm



Easy Cable Installation and Replacement



VESA 75/100mm

unit:mm

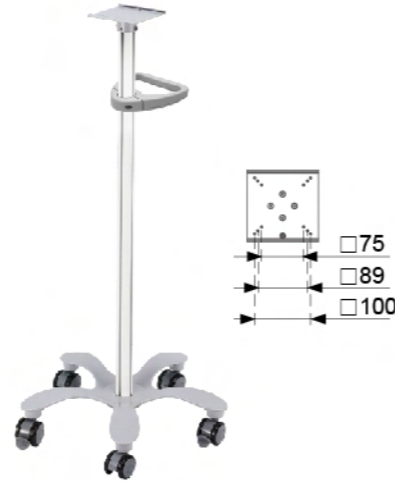
# HC-500 / 520 Series



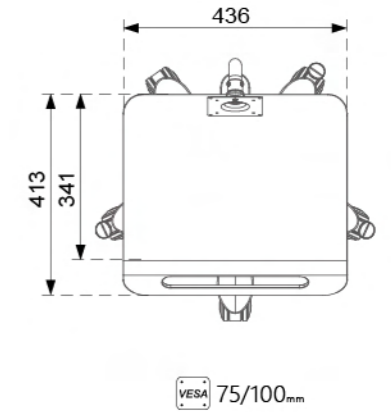
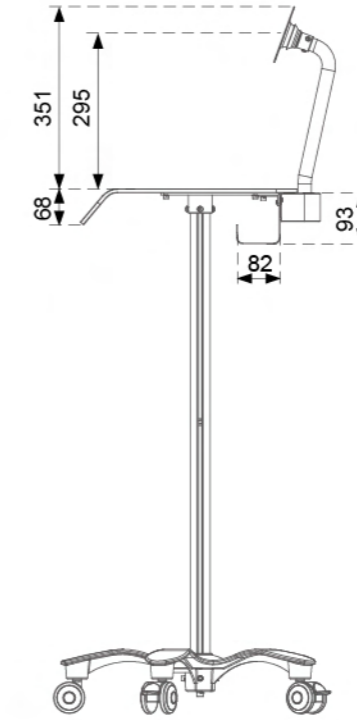
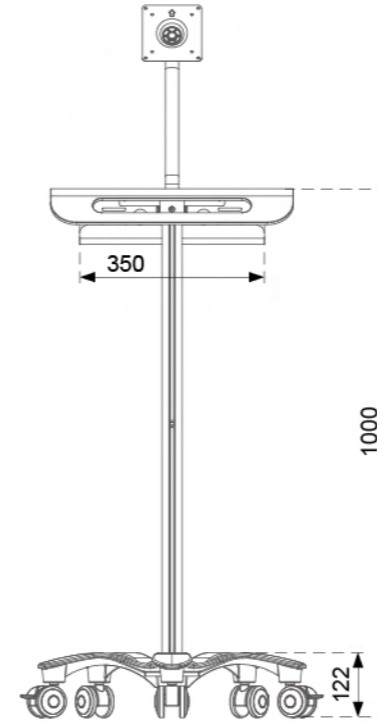
**HC-500**  
 max ~10kg (~22lbs)



**HC-501**  
 max ~10kg (~22lbs) / ~5kg (~11lbs) monitor arm



**HC-505**  
 max ~15kg (~33lbs)



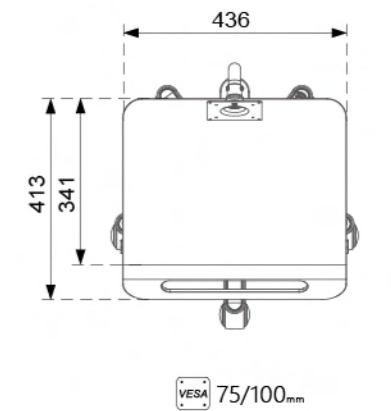
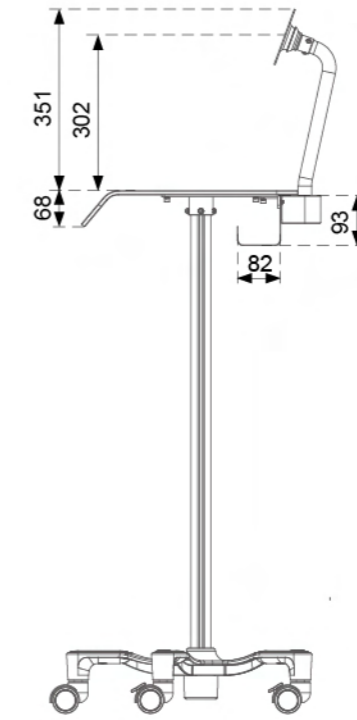
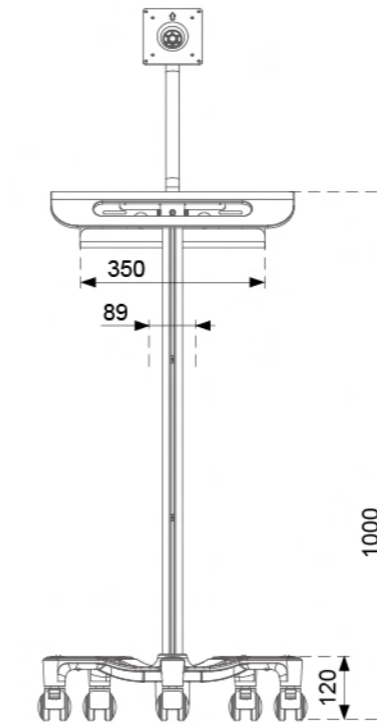
**HC-520**  
 max ~10kg (~22lbs)



**HC-521**  
 max ~10kg (~22lbs) / ~5kg (~11lbs) monitor arm



**HC-525**  
 max ~15kg (~33lbs)

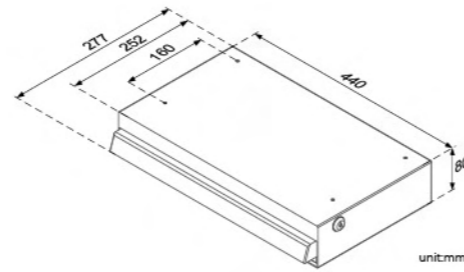


unit:mm

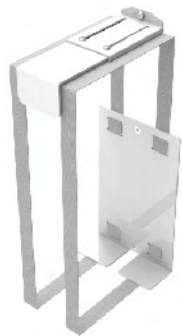
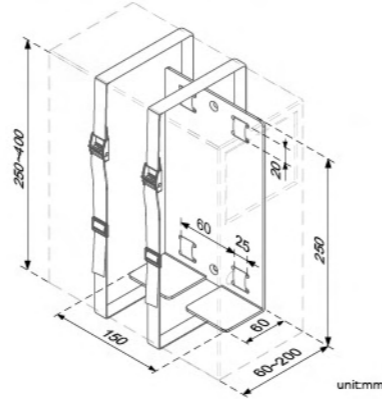
# Optional Accessory



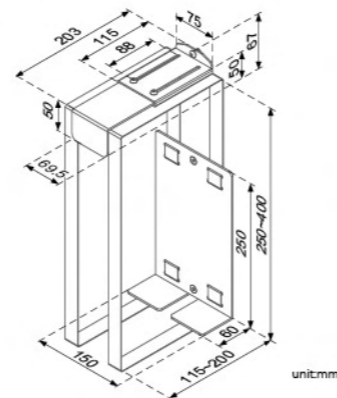
**HCA-001**  
Sliding Keyboard Tray with Keylock  
The tray provides security to your system access by allowing the keyboard to be locked inside.



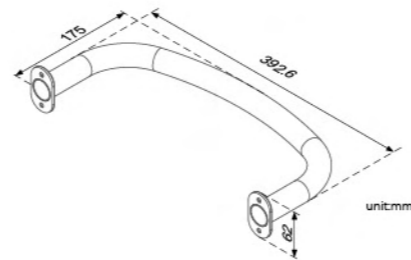
**HCA-002**  
Universal CPU Holder  
This easy-to-install holder accommodating the majority of CPUs brings CPUs in reach when needed.



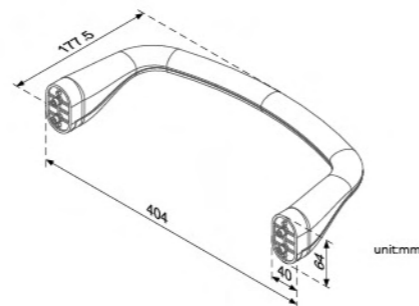
**HCA-002A**  
Universal CPU Holder  
This easy-to-install holder accommodating the majority of CPUs brings CPUs in reach when needed.



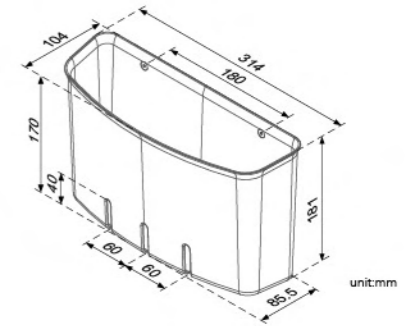
**HCA-003**  
Steel Handle  
Optional one-piece steel handle is available to be added to the rear of the cart.



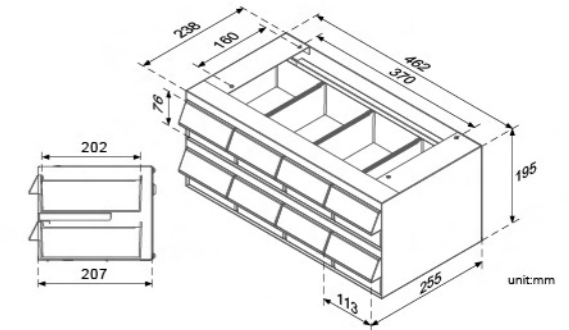
**HCA-004**  
Plastic Handle  
Optional one-piece steel handle is available to be added to the rear of the cart.



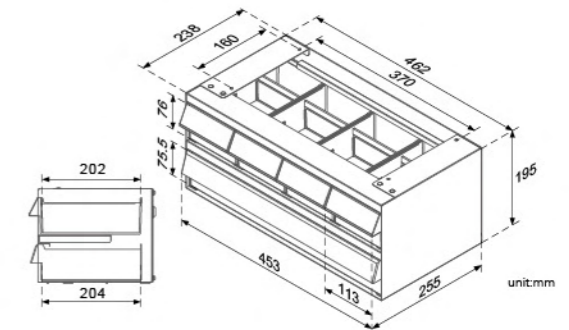
**HCA-005**  
storage basket  
Big storage capacity to put documents, alcohol and medical equipment.



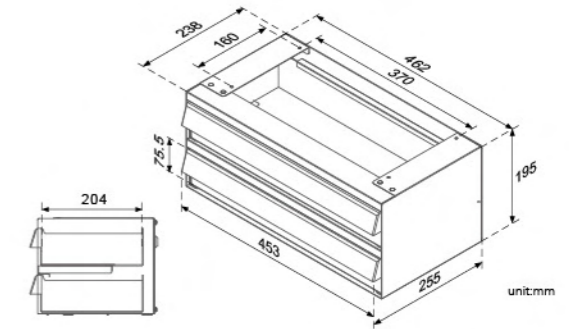
**HCA-N010**  
Medication Drawer Tray  
Optional locking storage drawers provide segregated and secure storage of medications and supplies.



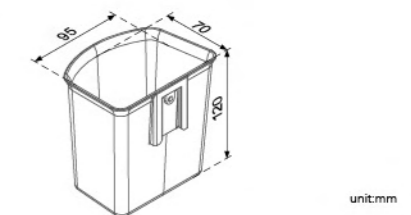
**HCA-N010A**  
Medication Drawer Tray  
Optional locking storage drawers provide segregated and secure storage of medications and supplies.



**HCA-N010B**  
Medication Drawer Tray  
Optional locking storage drawers provide segregated and secure storage of medications and supplies.



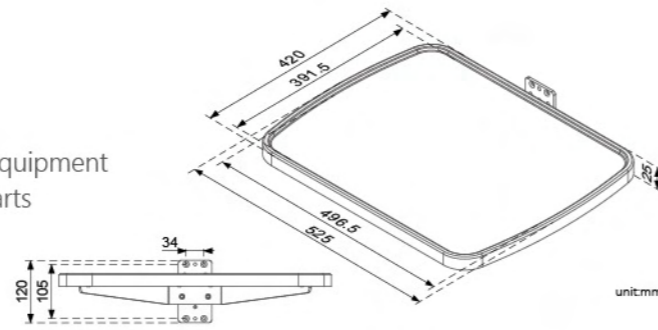
**HCA-011**  
Storage basket  
Could be connected with HCA-012. simple storage for cotton swabs, remot control, or trash can could be a great choice.



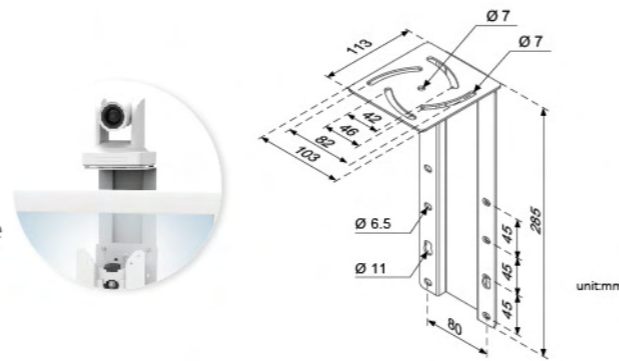
# Optional Accessory



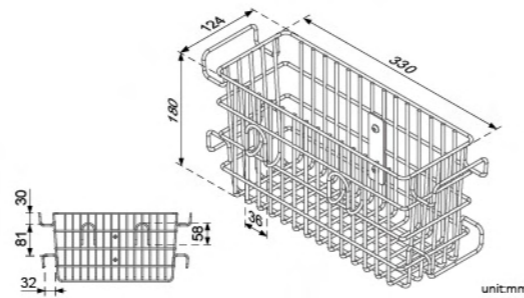
**HCA-013**  
Easy to Clean Shelf  
Space for medical device, equipment and document to increase carts efficiency.



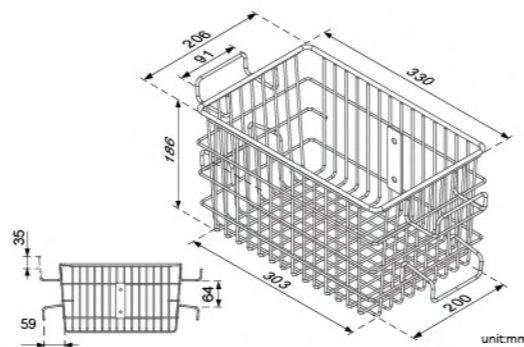
**HCA-017**  
Device Bracket  
Open architecture allows for the integration of most standard computer and mobile communications equipment.



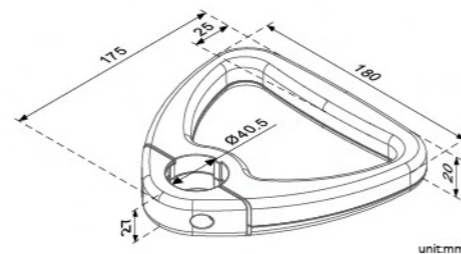
**HCA-501**  
Small Basket  
Optional basket provides the storage space for the cables, scanner and blood pressure cuff etc.



**HCA-502**  
Large Basket  
Optional basket provides the storage space for the cables, scanner and blood pressure cuff etc.



**OP-040**  
Hand Holder  
Ergonomic hand holder for HC-505 /HC-525



# Customized Design Service



- Product Design Service for any physiological monitoring Device Application. Ex : electric blood pressure monitor, thermal detector, trolley for Ultrasonic Scanner, X-RAY system...so on.



# Mobile Point of Care Medical Cart



- Ergonomic monitor positioning.
- Applicable for tablets, small screens, or devices.
- Concealed cable management inside the column.
- Two lockable wheels to fix the trolley in position.
- The slim design and compact footprint enable users to navigate effortlessly throughout the hospital.



**HC-550**

**max** ~12kg (~26.4lbs) monitor arm

**HC-551**

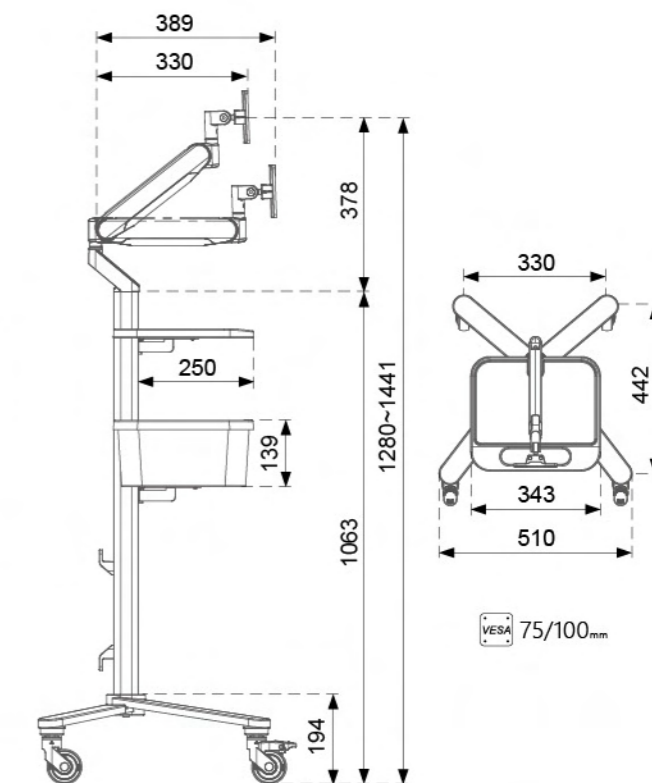
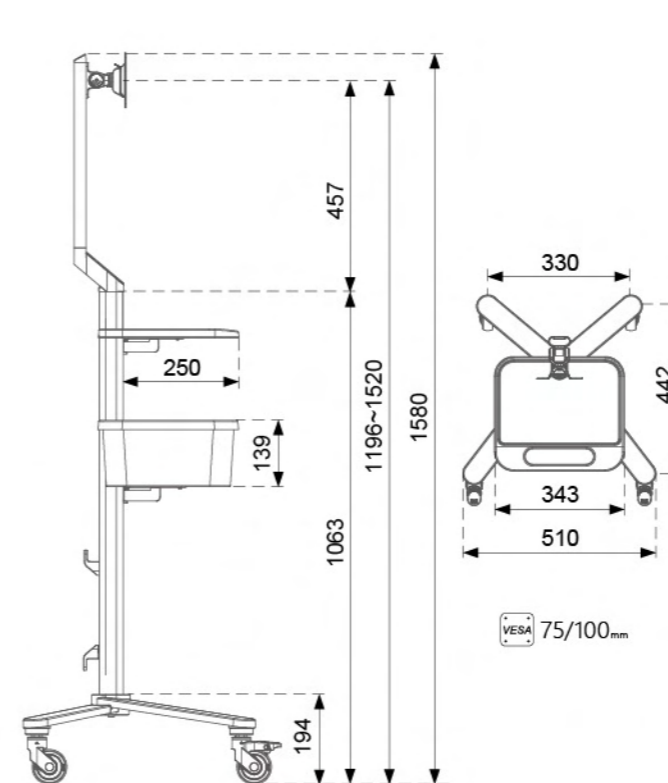
**max** ~12kg (~26.4lbs) monitor arm

**HC-560**

**max** 0.9~3kg (1.98~6.6lbs) monitor arm

**HC-561**

**max** 0.9~3kg (1.98~6.6lbs) monitor arm



unit:mm

# Overbed Table

- One finger touch monitor arm.
- Under drawer equipped with mirror and storage.
- One-sided table folding automatically.



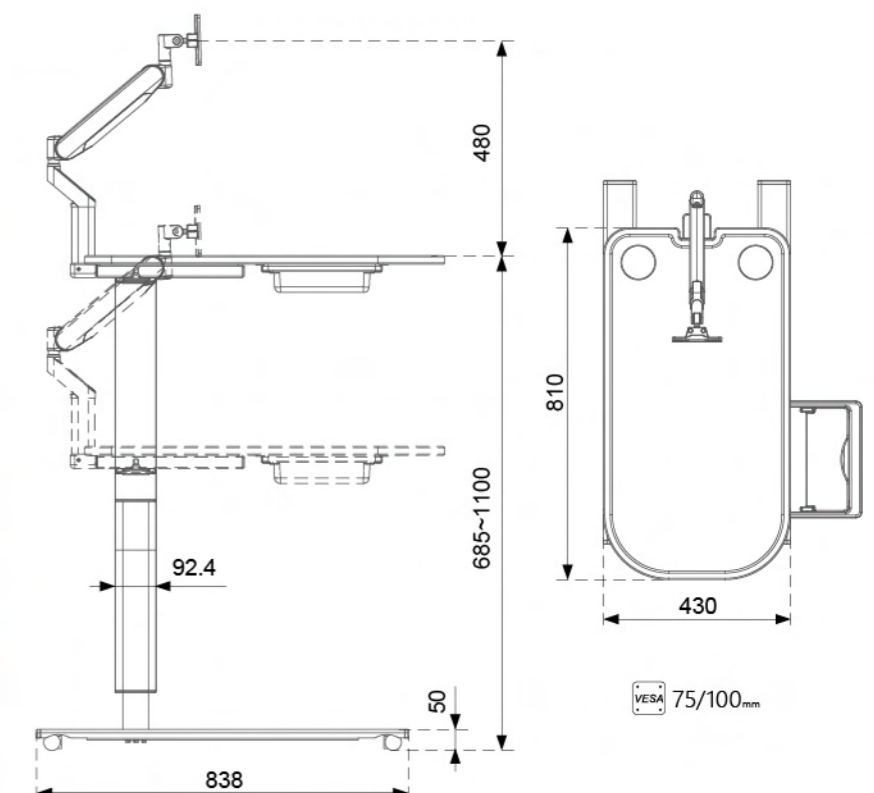
**Applications:**  
Hospital, Nursing home or household  
We especially pay attention to user's safety,  
When the bed rises in need, the table top rises simultaneously to avoid user stuck at one position.



**BT-110**  
max ~10kg (~22lbs)

**BT-112**  
max ~10kg (~22lbs) /  
0.9~3kg (1.98~6.6lbs) monitor arm

**BT-122**  
max ~10kg (~22lbs) /  
0.9~3kg (1.98~6.6lbs) monitor arm



unit:mm

# Telemedicine Cart



Modernsolid provides various accessories for our carts to achieve the ideal telemedicine cart that meets customers' demands. Telemedicine mobile cart is applicable in medical, education, household and etc.



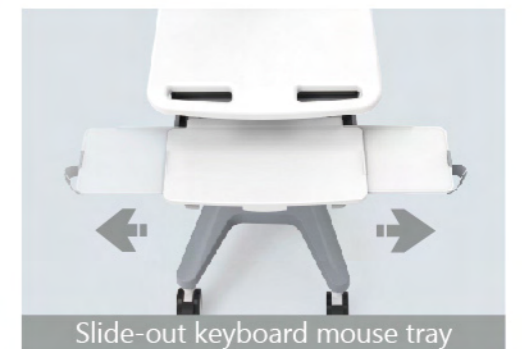
Cable Management



Quick monitor installation



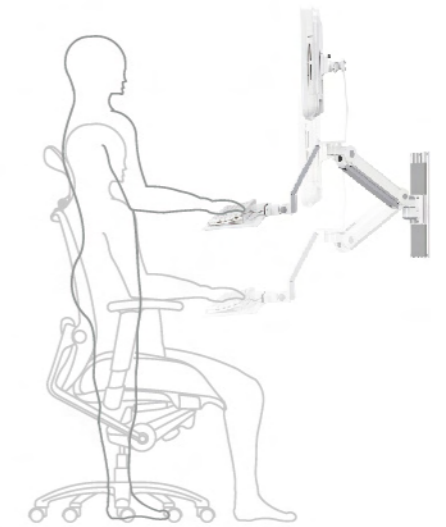
Device Bracket



Slide-out keyboard mouse tray

# Medical

## Wall Mounted Solution



- Built for normal duty and heavy duty computer workstation use.
- Organized cable management promotes infection prevention and control.
- Superior design to provide easy adjustment for patients and caregivers.



Monitor height adjustable



Quick-release VESA mount



Space saving



with the extended work surface



Locking lever to lock the height adjustment



180° stop mechanism on arm

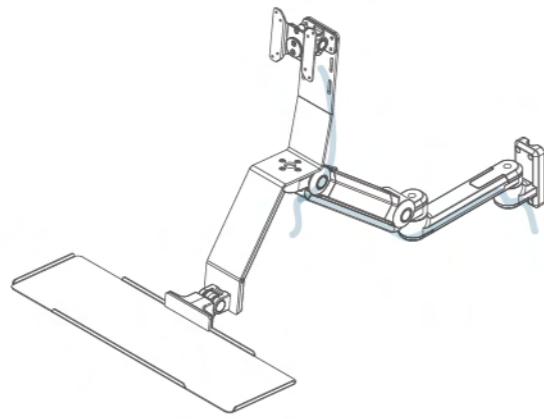
# Gas-Spring Assisted Articulating Arm



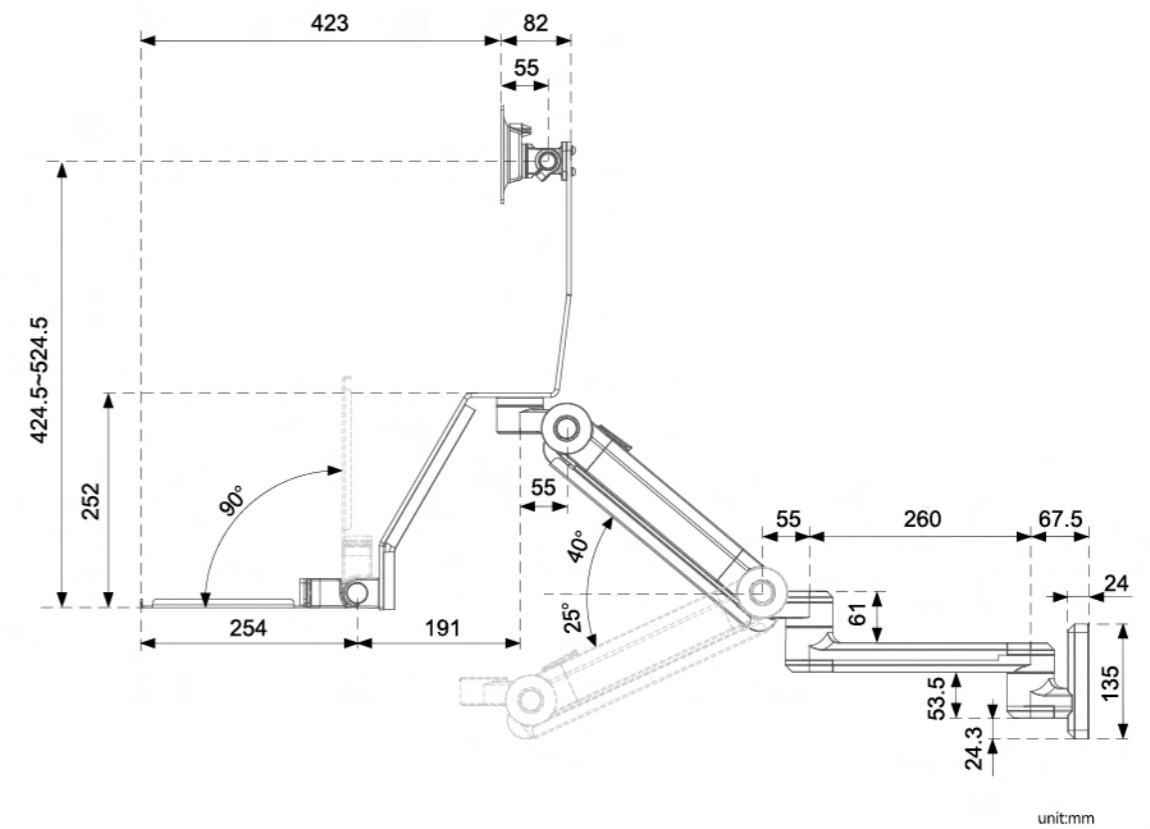
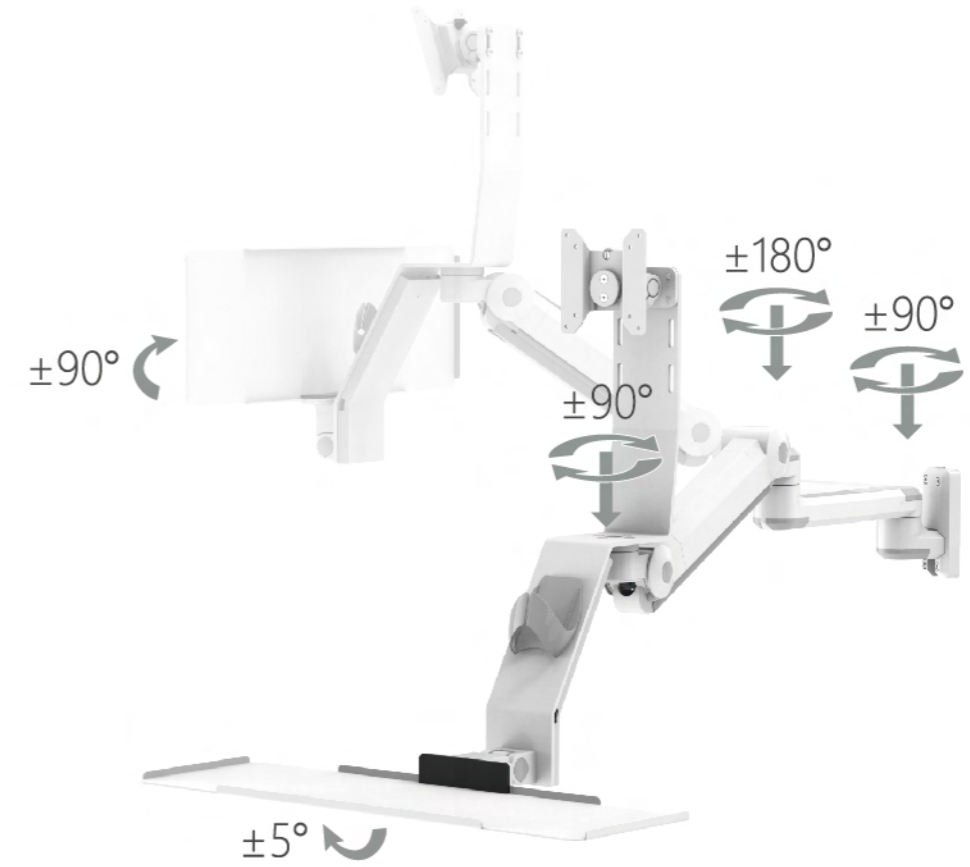
**HM-B8525**

VESA 75/100mm

max ~9kg (~19.8lbs)



Easy Cable Installation and Replacement



**HM-A061**  
Low Gas-spring  
Assisted Arm

max ~9kg (19.8lbs)



**HM-B061**  
High Gas-spring  
Assisted Arm

max ~16kg (35.2lbs)

**HM-A062**  
Low Gas-spring  
Assisted Articulating Arm

max ~9kg (19.8lbs)

**HM-B062**  
High Gas-spring  
Assisted Articulating Arm

max ~16kg (35.2lbs)


# Gas-Spring Assisted Articulating Arm



Wall Mount



**HM-A5611** **HM-B5611**  
 ~8kg (~17.6lbs)  ~15kg (~33lbs)

Track Mount



**HM-A8611** **HM-B8611**  
 ~8kg (~17.6lbs)  ~15kg (~33lbs)



Wall Mount


**HM-A5621** **HM-B5621**  
 ~8kg (~17.6lbs)  ~15kg (~33lbs)

Track Mount


**HM-A8621** **HM-B8621**  
 ~8kg (~17.6lbs)  ~15kg (~33lbs)



Wall Mount


**HM-A5617**  
 ~6kg (~13.2lbs)

Track Mount


**HM-A8617**  
 ~6kg (~13.2lbs)



Wall Mount


**HM-A5627**  
 ~6kg (~13.2lbs)

Track Mount


**HM-A8627**  
 ~6kg (~13.2lbs)



Wall Mount


**HM-B5615**  
 ~9kg (~19.8lbs)

Track Mount


**HM-B8615**  
 ~9kg (~19.8lbs)



Wall Mount

**HM-B5625**  
 ~9kg (~19.8lbs)

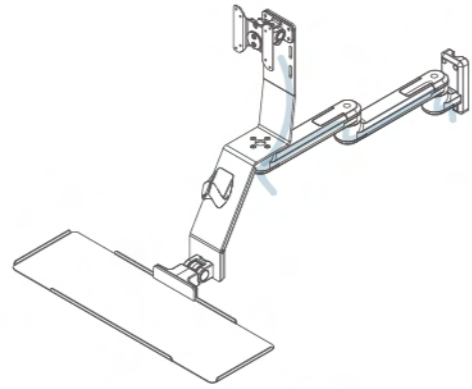
Track Mount

**HM-B8625**  
 ~9kg (~19.8lbs)

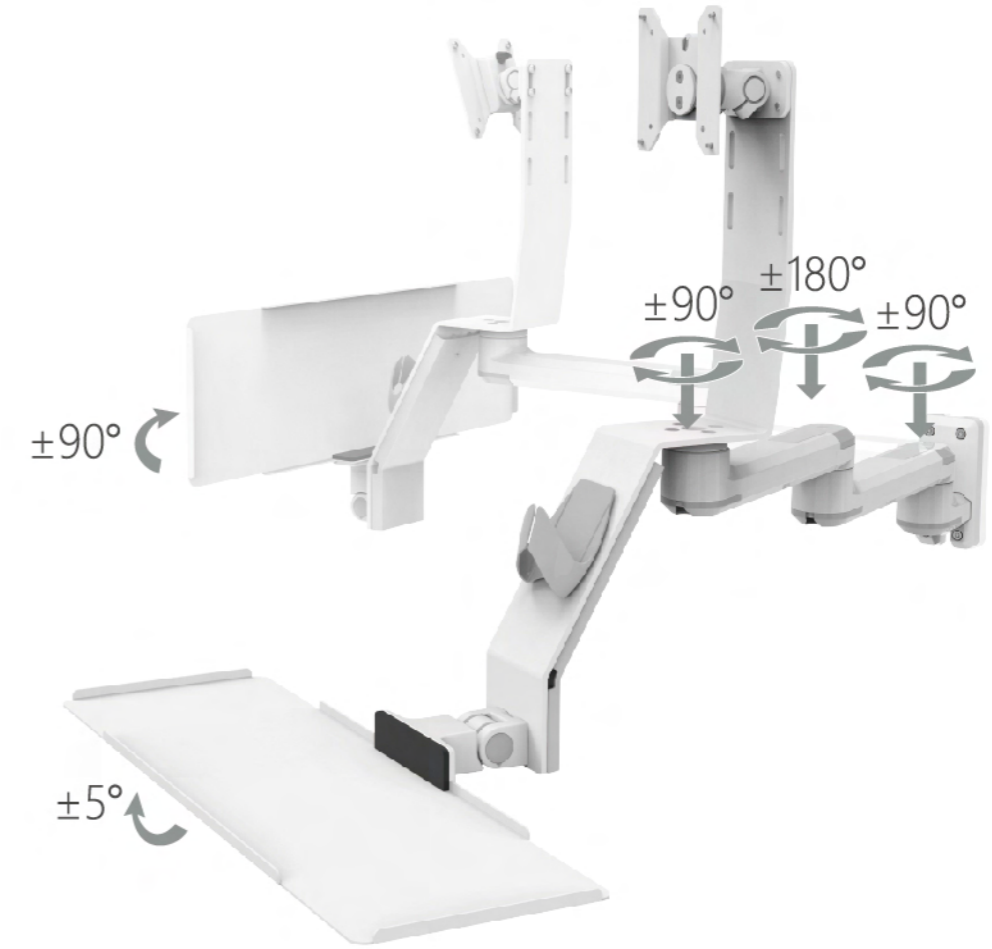
# Laterally Adjusting Arm



**HM-5525**  
 VESA 75/100mm  
 max ~15kg (~33lbs)



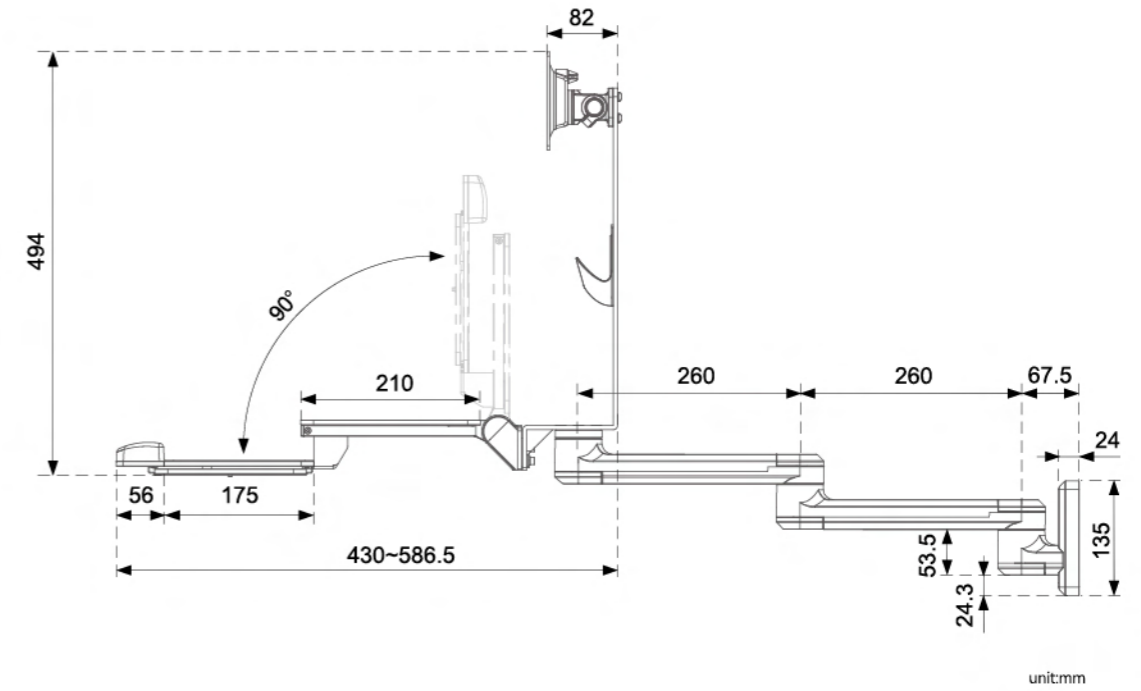
Easy Cable Installation and Replacement



**HM-051**  
 Extension Arm  
 max ~22kg (48.4lbs)



**HM-052**  
 Laterally Adjustable  
 Double Arm  
 max ~22kg (48.4lbs)



# Laterally Adjusting Arm



Wall Mount

**HM-5511**

**max** ~15 kg (~33 lbs)

Track Mount

**HM-8511**

**max** ~15 kg (~33 lbs)



Wall Mount

**HM-5521**

**max** ~15 kg (~33 lbs)

Track Mount

**HM-8521**

**max** ~15 kg (~33 lbs)



Wall Mount

**HM-5517**

**max** ~6 kg (~13.2 lbs)

Track Mount

**HM-8517**

**max** ~6 kg (~13.2 lbs)



Wall Mount

**HM-5527**

**max** ~6 kg (~13.2 lbs)

Track Mount

**HM-8527**

**max** ~6 kg (~13.2 lbs)



Wall Mount

**HM-5515**

**max** ~15 kg (~33 lbs)

Track Mount

**HM-8515**

**max** ~15 kg (~33 lbs)



Wall Mount

**HM-5525**

**max** ~15 kg (~33 lbs)

Track Mount

**HM-8525**

**max** ~15 kg (~33 lbs)

# Specification

## Attachment Options



**HM-015**  
Wall Mount Bracket



**HM-018**  
Track Mount Bracket



**HM-031-450**  
Wall Track  
450mm



**HM-031**  
Wall Track  
946mm

## Adapte

The use of any adapter decreases the weight capacity.



**HM-001**  
Display Bracket  
VESA 75/100mm  
N.W.(Kg/lbs): 1kg (2.2lbs)  
MAX ~15kg (33lbs)



**HM-005**  
Display Bracket  
w/ Keyboard Tray  
VESA 75/100mm  
N.W.(Kg/lbs): 7kg (15.4lbs)  
MAX ~15kg (33lbs)



**HM-007**  
Keyboard Tray  
N.W.(Kg/lbs): 3kg (6.6lbs)  
MAX ~6kg (13.2lbs)

## Optional Accessories



**HM-095**  
CPU Holder



**HM-095A**  
CPU Holder  
for Track Mount Type

# Healthcare Applications



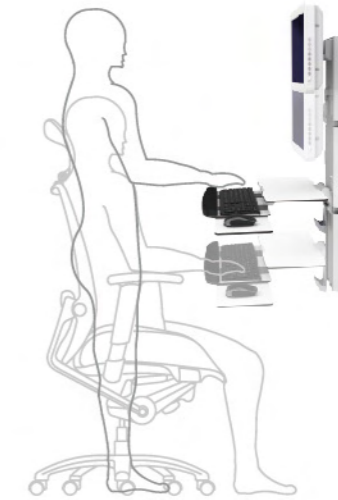
- MRI Scan Room
- Radiology Room
- Emergency Room
- Intensive Care Units
- Operating Room
- Pharmacy
- Nurse Station

Besides the above applications, the Apollo Series Mounts can also be configured for different medical devices in the hospital settings. This adds more flexibility and maximizes the ergonomic benefits!



# Sit-Stand

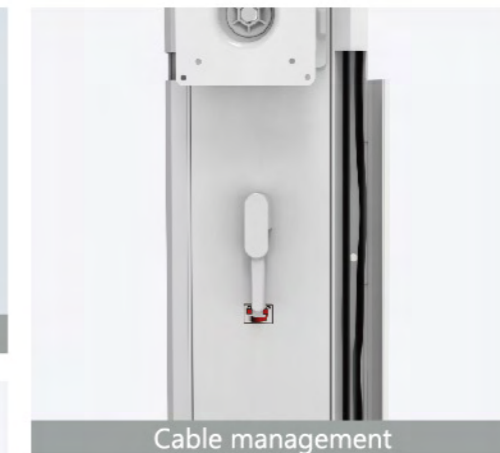
## Wall Mounted Workstation



- Good price with Elegant Design.
- Quick Monitor Installation settings.
- Cable Management.
- Working Board for writing and documentation.
- Locking lever for height adjustment.



Quick monitor installation



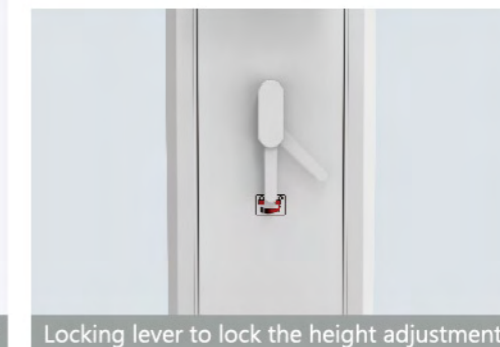
Cable management



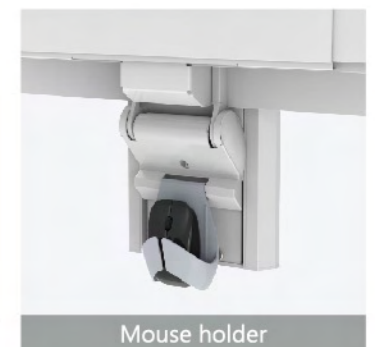
4 inches



With working board for writing and documentation



Locking lever to lock the height adjustment

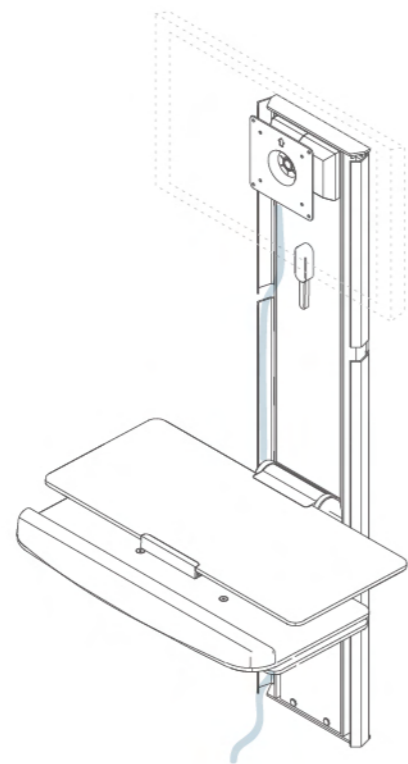
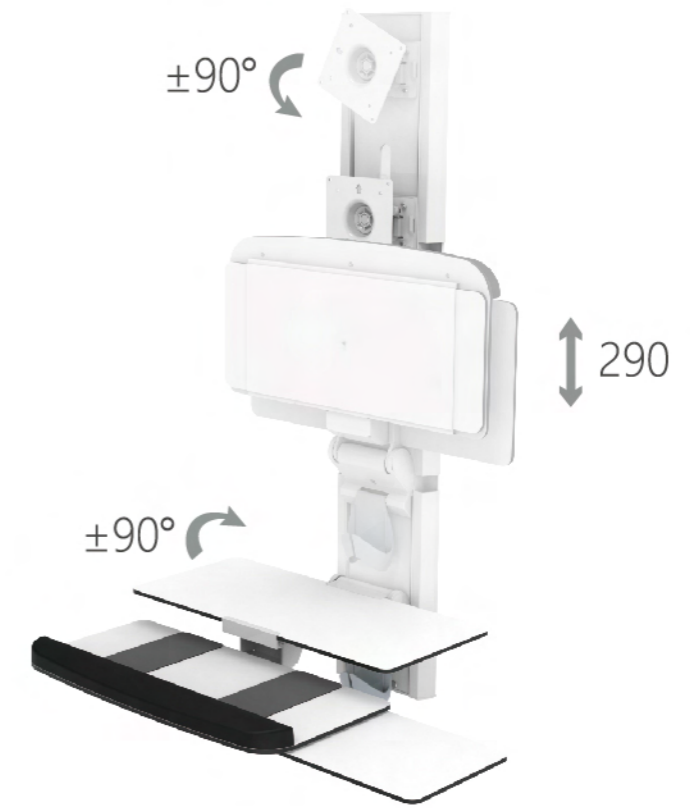


Mouse holder

# Sit-Stand Wall Mounted Workstation



**HM-100**  
 VESA 75/100mm  
 Max ~6kg (~13.2lbs)



Easy Cable Installation and Replacement

