

MODERNSOLID

Global Series



JUST ONE FINGER!

Global Series
Free up your workspace

MODERNSOLID INDUSTRIAL CO., LTD.

NO.185, Ziqiang Rd., Wuqi Dist., Taichung City 435054, Taiwan.
TEL: 886-4-26397717 / 886-4-26398669 (Rep.) / FAX: 886-4-26398333
Website: www.modernsolid.com / E-mail: info@modernsolid.com.tw

2025.05



modernsolid.com



MODERNSOLID

Desk Mount

>> Single Monitor Arm



Color

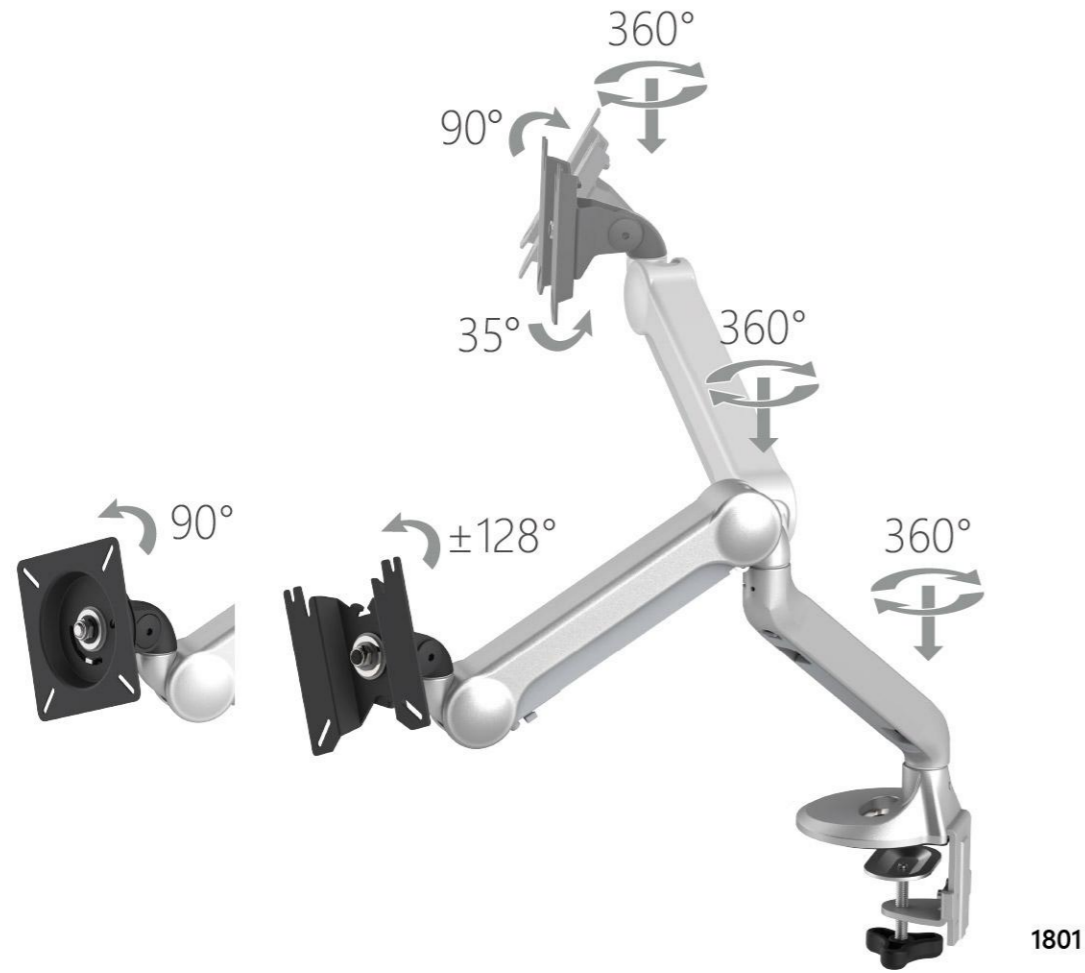


- Ergonomic design ensures monitor positioned in any desirable position.
- Slim and streamlined design frees up desk space.
- Cable management.

VESA Optional



1801/1901 Series



1801



1801

1901

Clamp Type

1801 / 1901 (Quick Release VESA)

VESA 75/100mm

max 2~9kg (4.4~19.8lbs)

Grommet Type

1821 / 1921 (Quick Release VESA)

VESA 75/100mm

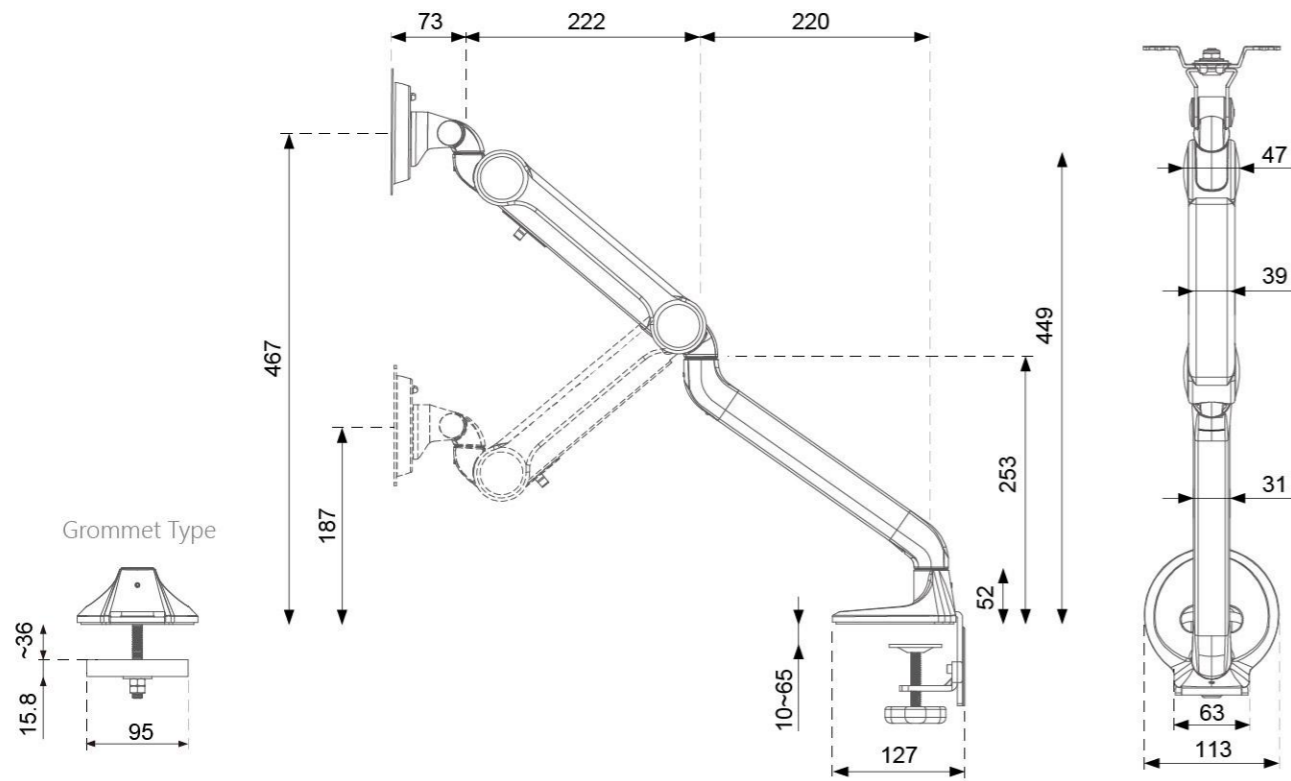
max 2~9kg (4.4~19.8lbs)

Innovative Top-Down Mount

- Featuring an innovative top-down mounting design, this monitor arm allows for quick and easy installation from above.
- The streamlined setup saves time and effort, making it an ideal choice for fast-paced environments.
- Fits desk thicknesses 8~30mm, then clamp the arm to the desk.



18A-17



unit:mm



1811

Top-Down Mount

1811 / 1911 (Quick Release VESA)

VESA 75/100mm

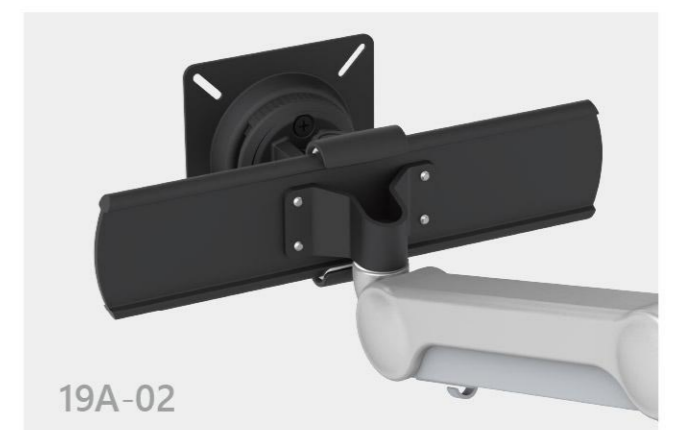
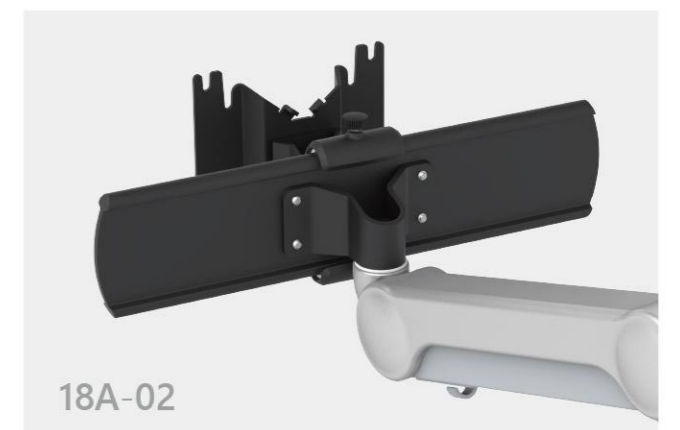
max 2~9kg (4.4~18.7lbs)

Desk Mount

>> Dual Monitor Arm

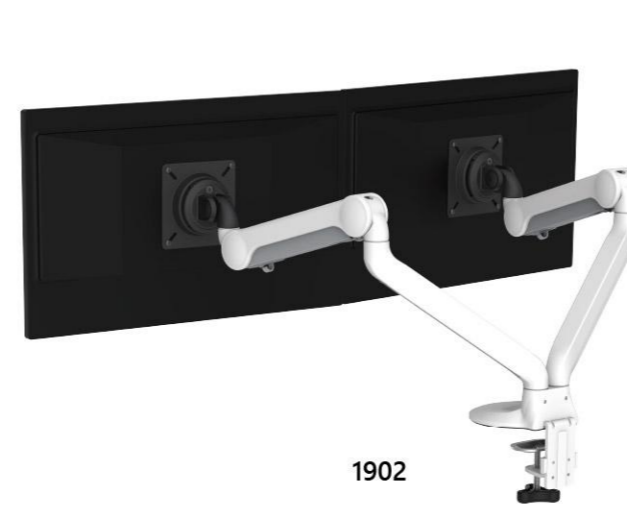
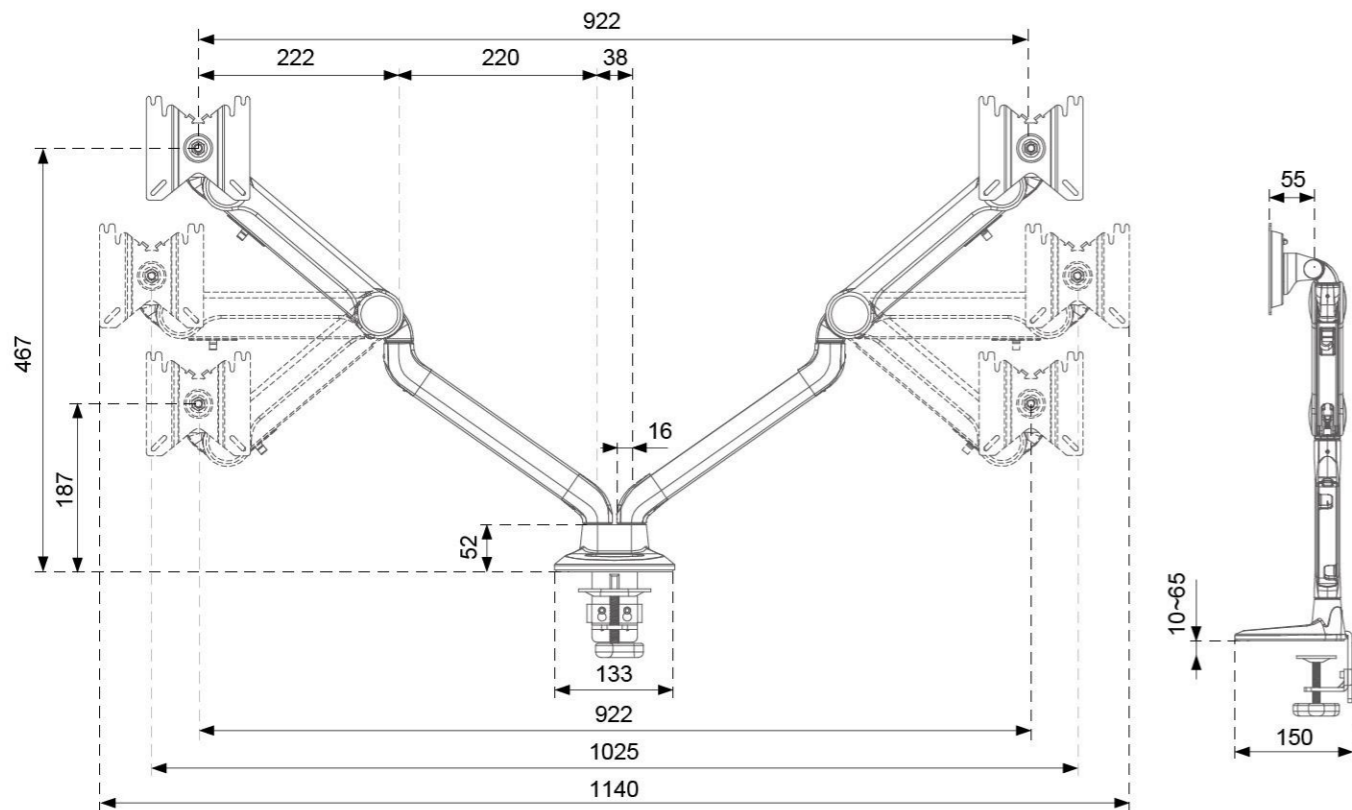
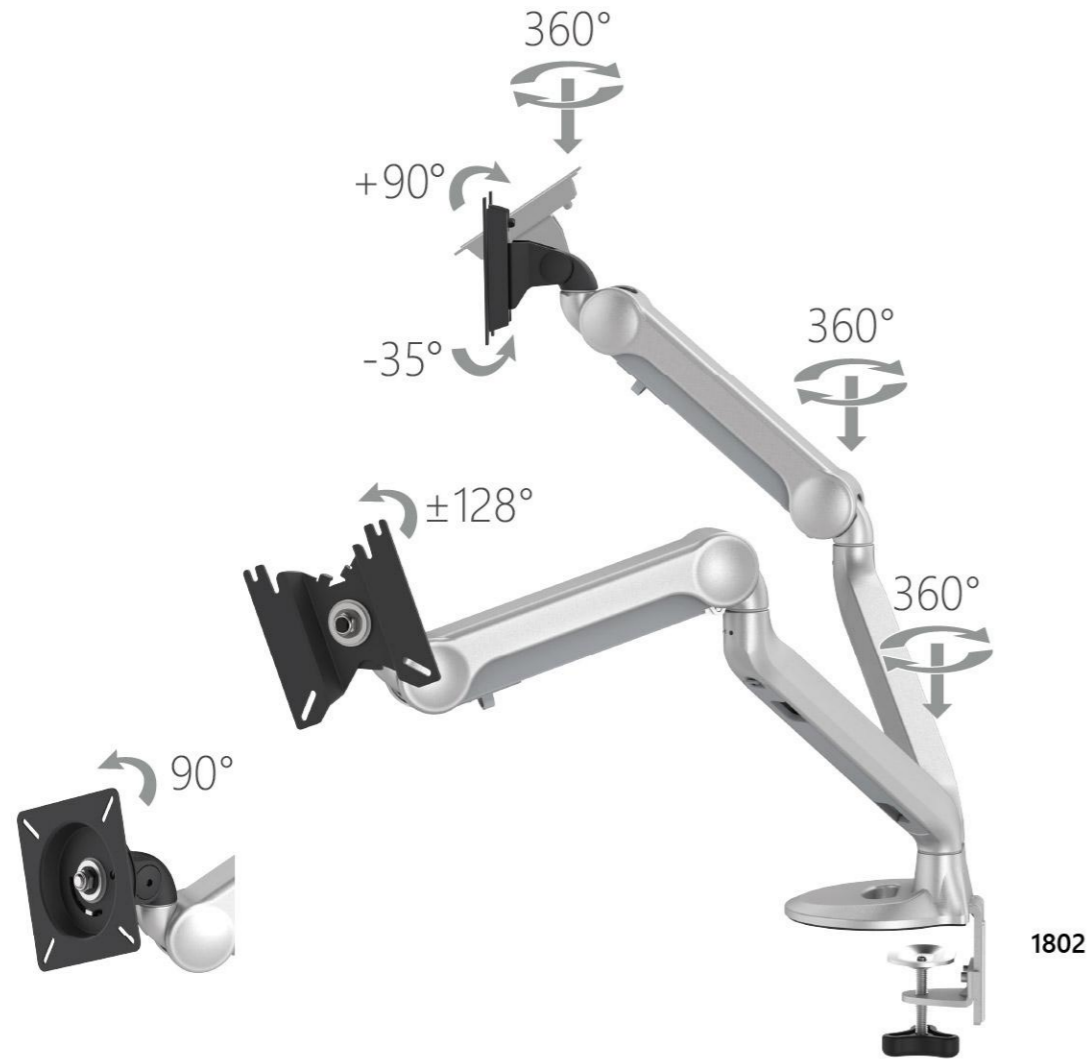


VESA Optional



1802/1902 Series

Gas Spring inside



1902

Clamp Type

1802 / 1902 (Quick Release VESA)

VESA 75/100mm

max 2~9kg (4.4~19.8lbs) /single arm

Grommet Type

1822 / 1922 (Quick Release VESA)

VESA 75/100mm

max 2~9kg (4.4~19.8lbs) /single arm



A1902

Clamp Type

A1802 / A1902 (Quick Release VESA)

VESA 75/100mm

max 2~8.5kg (4.4~18.7lbs) /single arm

Grommet Type

A1822 / A1922 (Quick Release VESA)

VESA 75/100mm

max 2~8.5kg (4.4~18.7lbs) /single arm

Innovative Top-Down Mount

- Featuring an innovative top-down mounting design, this monitor arm allows for quick and easy installation from above.
- The streamlined setup saves time and effort, making it an ideal choice for fast-paced environments.
- Fits desk thicknesses 3~30mm, then clamp the arm to the desk.



18A-18



1812

Top-Down Mount

1812 / 1912 (Quick Release VESA)

VESA 75/100mm

max 2~9kg (4.4~19.8lbs) /single arm



A1812

Top-Down Mount

A1812 / A1912 (Quick Release VESA)

VESA 75/100mm

max 2~8.5kg (4.4~18.7lbs) /single arm

Pole Mount

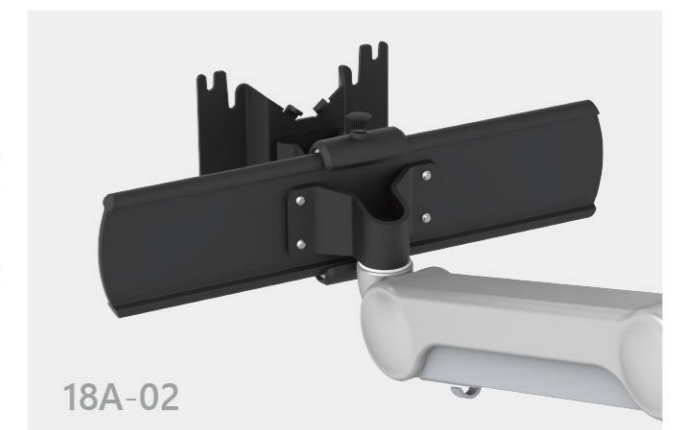


Color

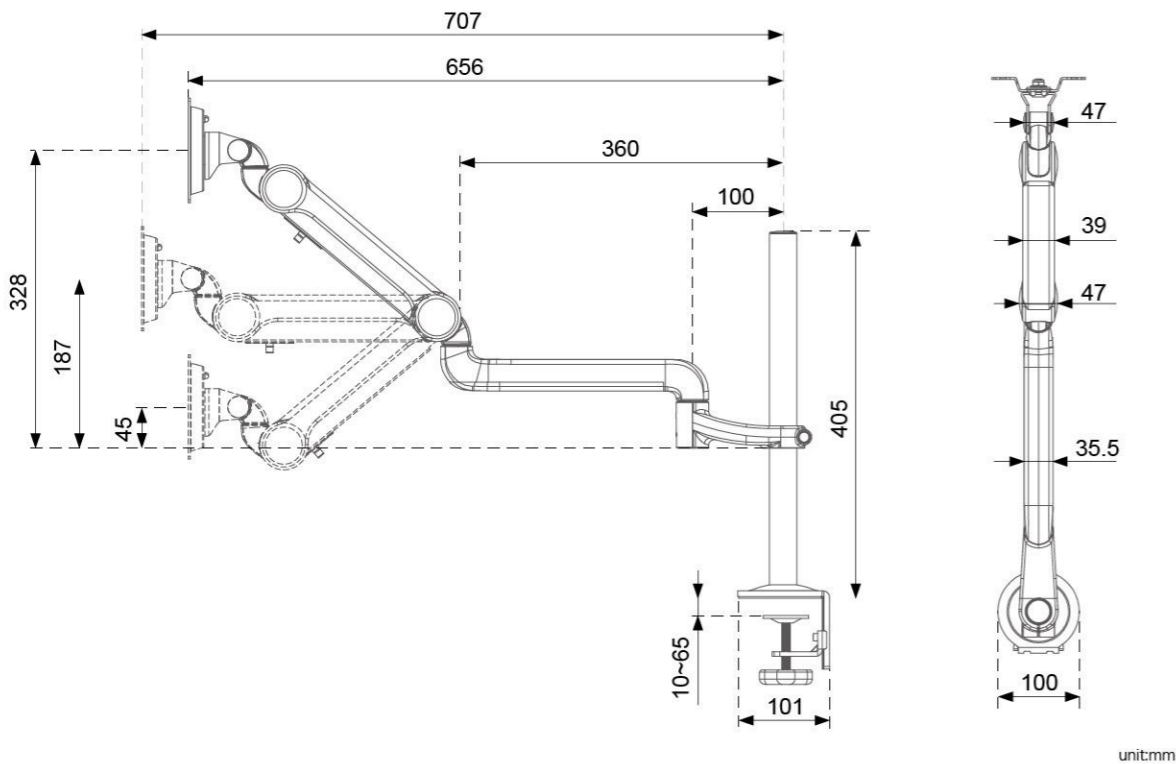
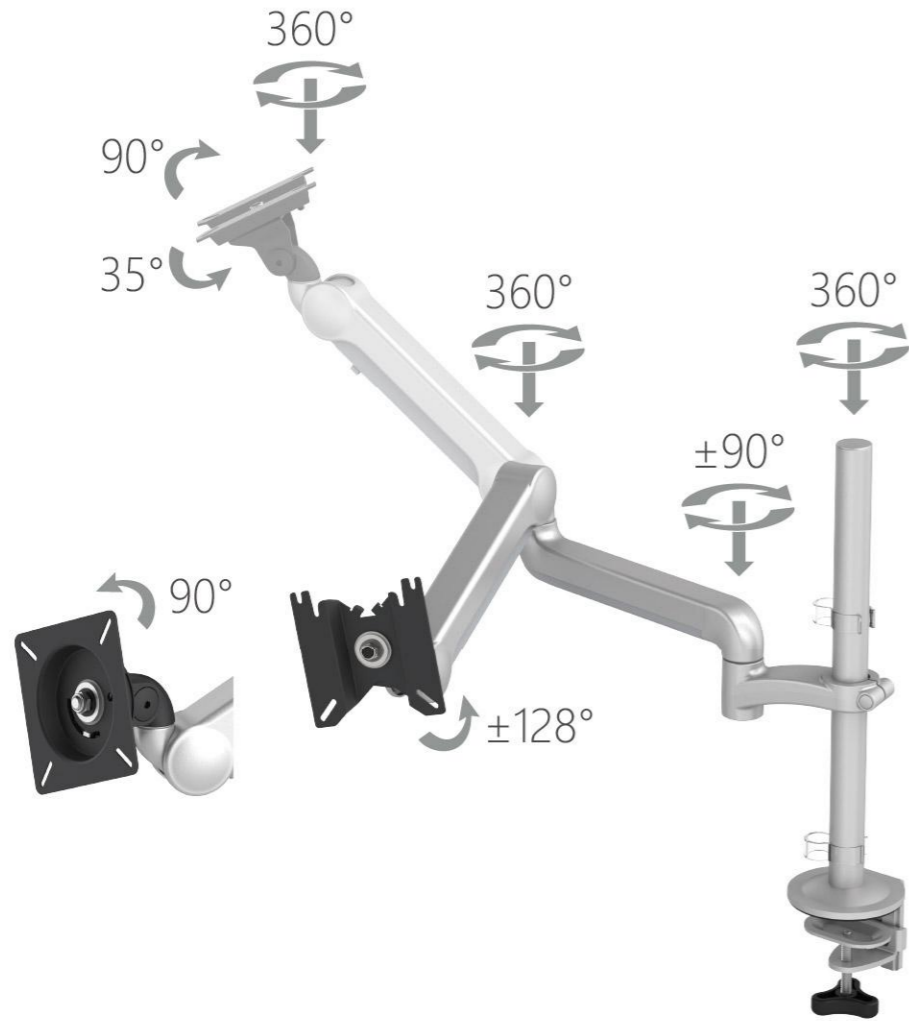
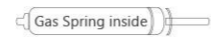


- Pole mount type provides the variety of configuration from single screen to multiple screens for fitting the different application needs of workplace.
- Small desk mount saves the desk space with clean look.
- Cable management.

VESA Optional



1803/1903 1805/1905 Series



1803-1 / 1903-1 (Quick Release VESA)
 VESA 75/100mm
 max 2~9kg (4.4~19.8lbs)



1803-2 / 1903-2 (Quick Release VESA)
 VESA 75/100mm
 max 2~9kg (4.4~19.8lbs) / single arm



1805-1 / 1905-1 (Quick Release VESA)
 VESA 75/100mm
 max 2~9kg (4.4~19.8lbs)



1805-2 / 1905-2 (Quick Release VESA)
 VESA 75/100mm
 max 2~9kg (4.4~19.8lbs) / single arm



1805-3 / 1905-3 (Quick Release VESA)
 VESA 75/100mm
 max 2~9kg (4.4~19.8lbs) / single arm

1806/1906 Series



1806Z-1 / 1906Z-1 (Quick Release VESA)
 VESA 75/100mm
 max 2~9kg (4.4~19.8lbs) / single arm



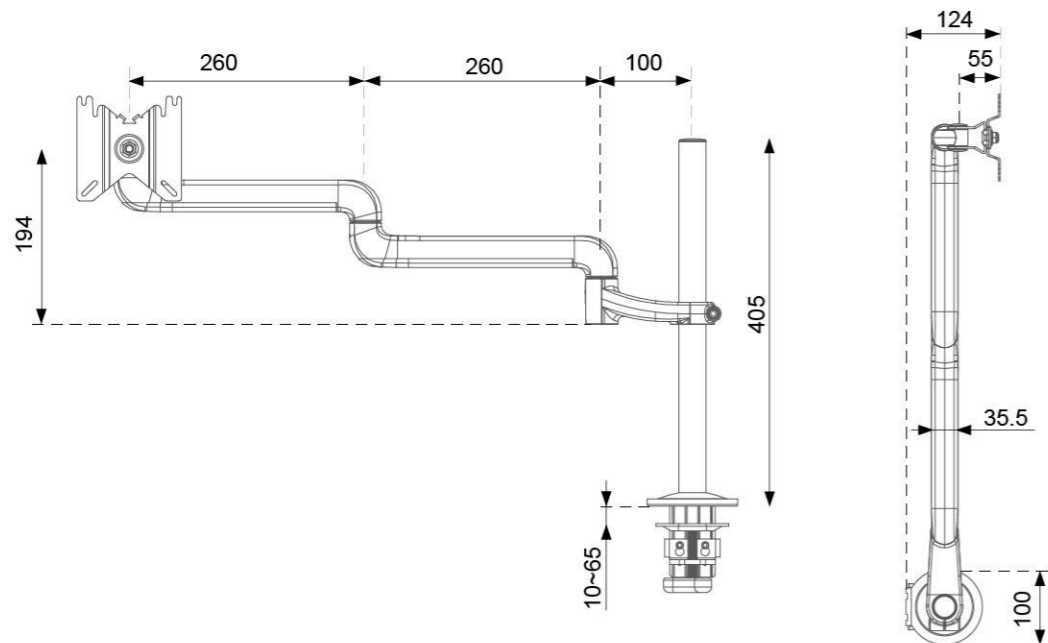
1806-1 / 1906-1 (Quick Release VESA)
 VESA 75/100mm
 max 2~9kg (4.4~19.8lbs)



1806-2 / 1906-2 (Quick Release VESA)
 VESA 75/100mm
 max 2~9kg (4.4~19.8lbs) / single arm



1806-3 / 1906-3 (Quick Release VESA)
 VESA 75/100mm
 max 2~9kg (4.4~19.8lbs) / single arm



unit:mm

1807/1907 Series

Gas Spring inside

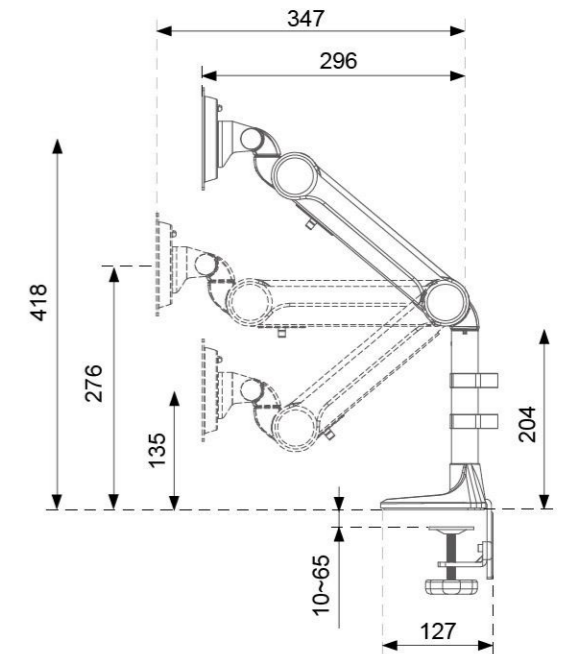


Clamp Type

1807 / 1907 (Quick Release VESA)
 VESA 75/100mm
 max 2~9kg (4.4~19.8lbs)

Grommet Type

1827 / 1927 (Quick Release VESA)
 VESA 75/100mm
 max 2~9kg (4.4~19.8lbs)

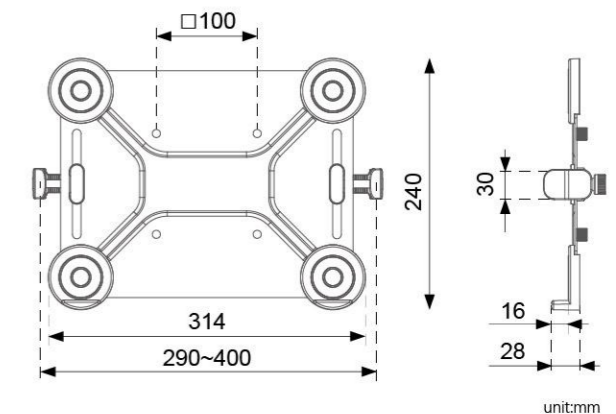
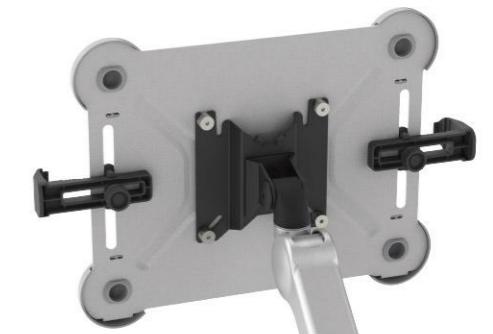


Optional Laptop Mount Tray

- Add the notebook tray to LCD mount that uses 100 x 100mm VESA to create an ergonomic workstation for your notebook.
- Notebook/laptop size: ~16"



OP-050
 VESA 100mm



unit:mm

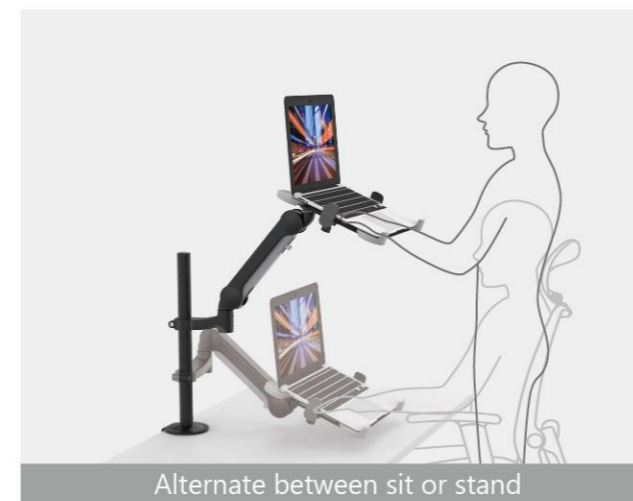
Sit-Stand Laptop Arm

Change your posture freely by most comfortable way.

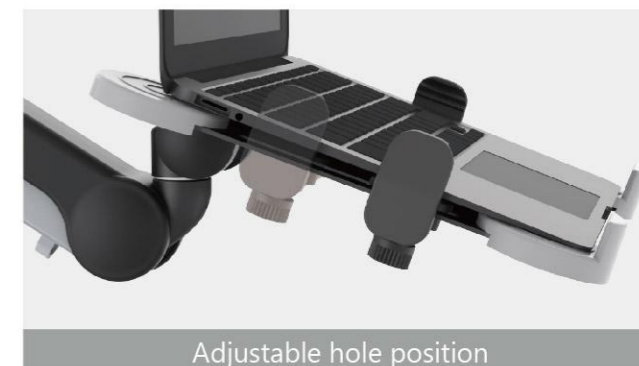


Color
■ ■ ■

- One step adjustment of laptop size
- Alternate between sit or stand
- Flexible for future addition



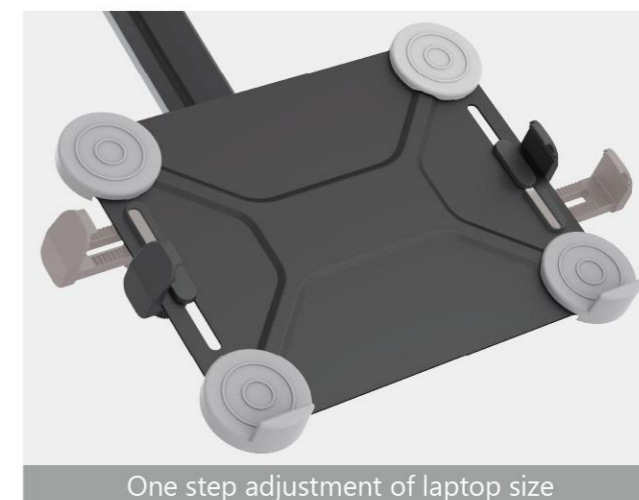
Alternate between sit or stand



Adjustable hole position



Tiltable design for ergonomic usage



One step adjustment of laptop size

Sit-Stand Laptop Arm



1803-1N

max 1~5.5kg (2.2~12.1lbs)



1805-2N

max 2~9kg (4.4~19.8lbs) / Fit monitor
1~5.5kg (2.2~12.1lbs) / Fit laptop



Clamp Type

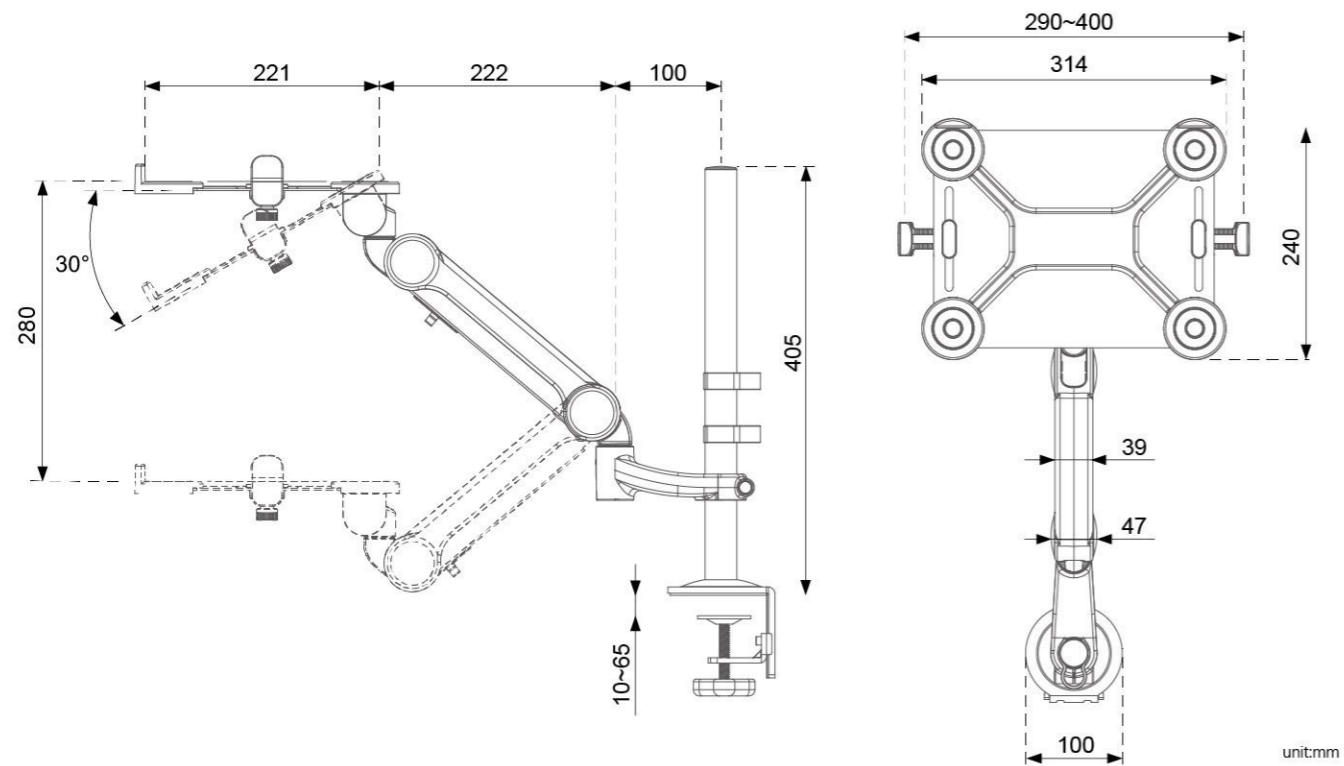
1801N

max 1~5.5kg (2.2~12.1lbs)

Grommet Type

1821N

max 1~5.5kg (2.2~12.1lbs)



VESA Optional

