

Mounting Solutions for **Bedside Infotainment**

MODERNSOLID INDUSTRIAL CO., LTD.

NO.11-2, Wu Nan Rd., Wu Chi Dist., Taichung City 435, Taiwan.
TEL: 886-4-26397717 / 886-4-26398669 (Rep.) / FAX: 886-4-26398333
Website: www.modernsolid.com / E-mail: info@modernsolid.com.tw

2023.11



modernsolid.com



Ultra Slim Hospital

Small PC / Tablet Monitor Arm



- Slim hospital arm designs for tablet and small PC.
- Lightweight and slim feature provide comfort and effortless usage.
- Perfect for limited ward space and children clinic.
- Cable management for infection control and ease of cleaning.
- Flexible and ergonomic design of wide range of viewing angles.
- Suitable for combination with trolley for different application.



Cable Management



Tilt



Obstacle Avoidance



Attached Cable cover



Rotation



Swivel



HA-600 Series  Gas Spring inside

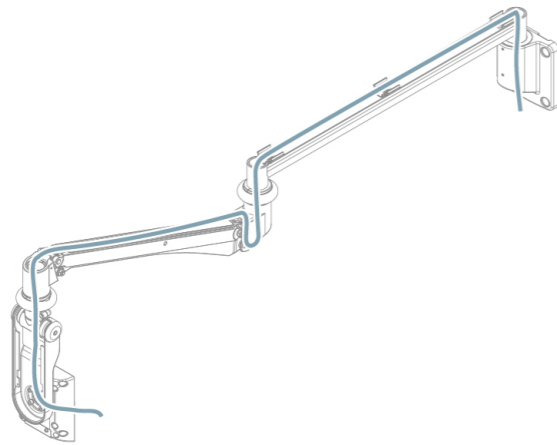
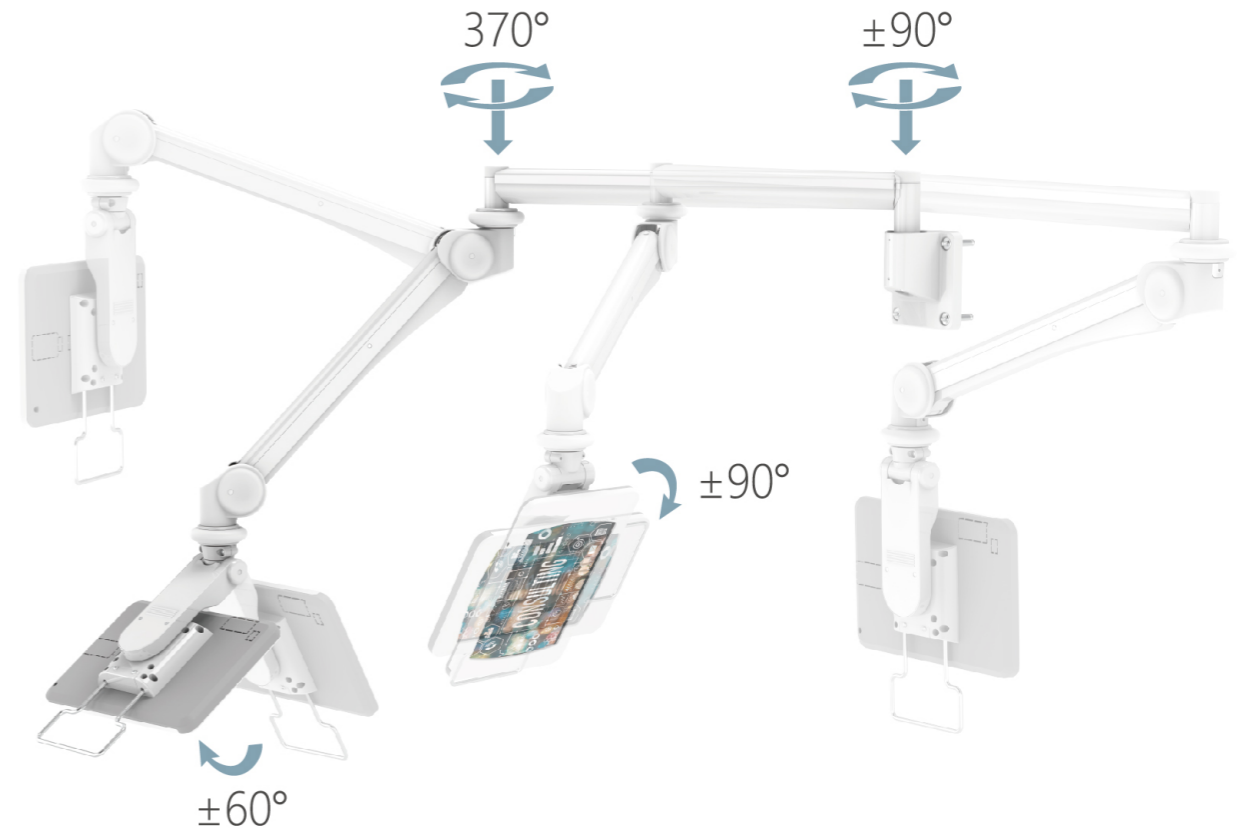


HA-601

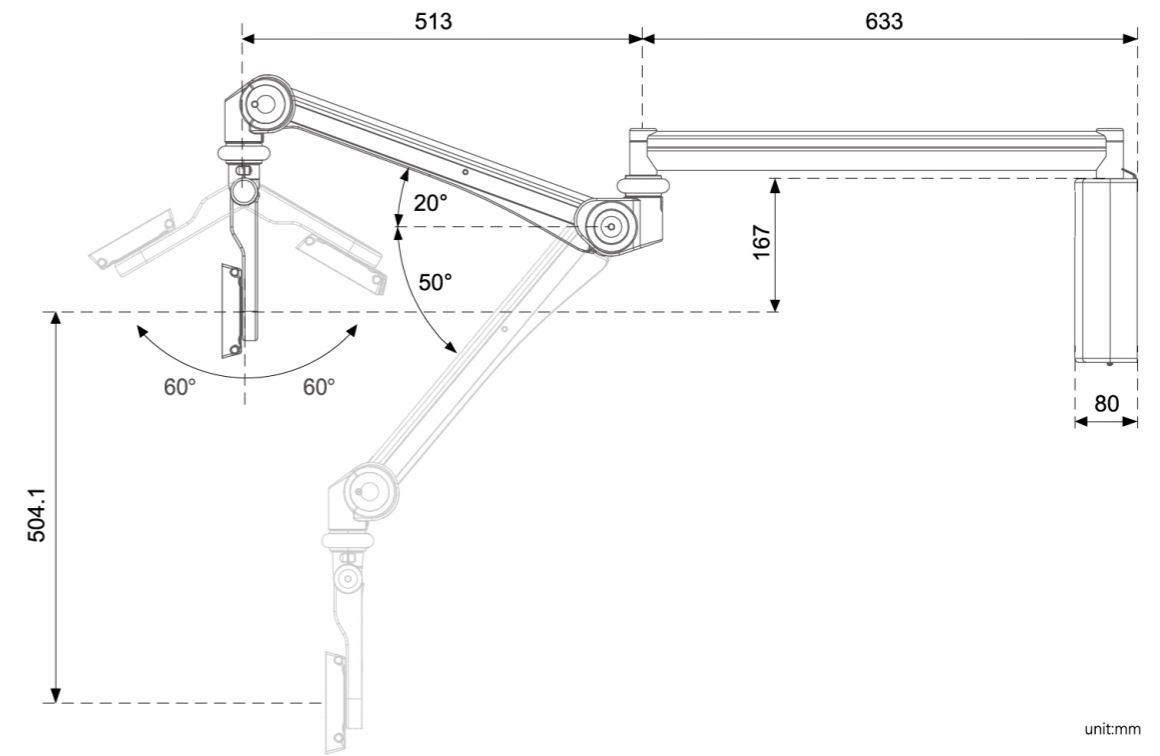
VESA 75/100mm
 max 1~3kg (2.2~6.6lbs)

HA-621

VESA 75/100mm
 max 2~5kg (4.4~11lbs)



Easy Cable Installation and Replacement



unit:mm



HA-601P
Wall Mount



HA-602P
Wall Box



HA-605P
Extension Arm
Extension Length: 302mm

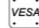





HA-606P
Extension Arm
W/ Wall Box
Extension Length: 302mm

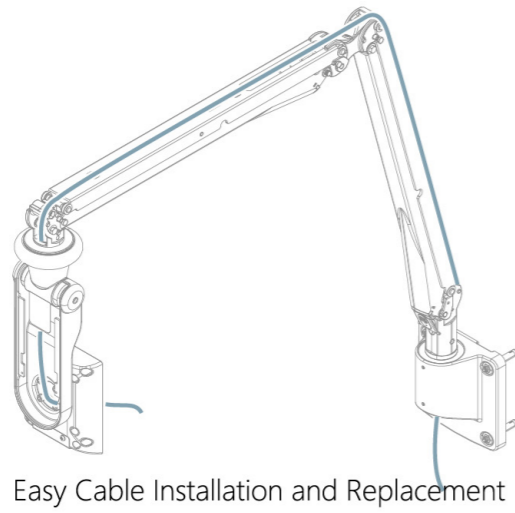
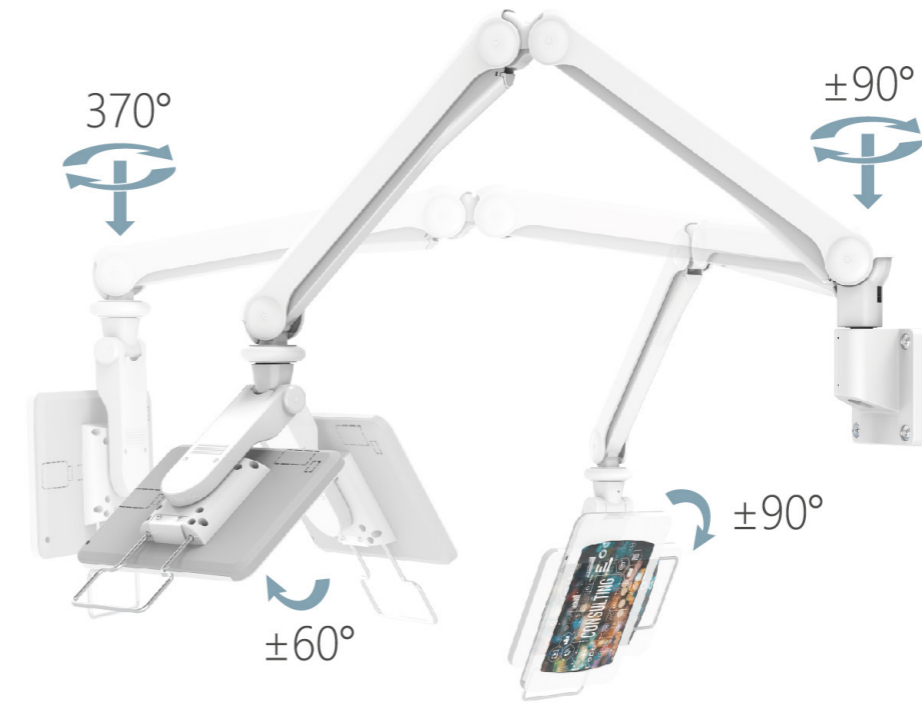


HA-700 / 720 Series 

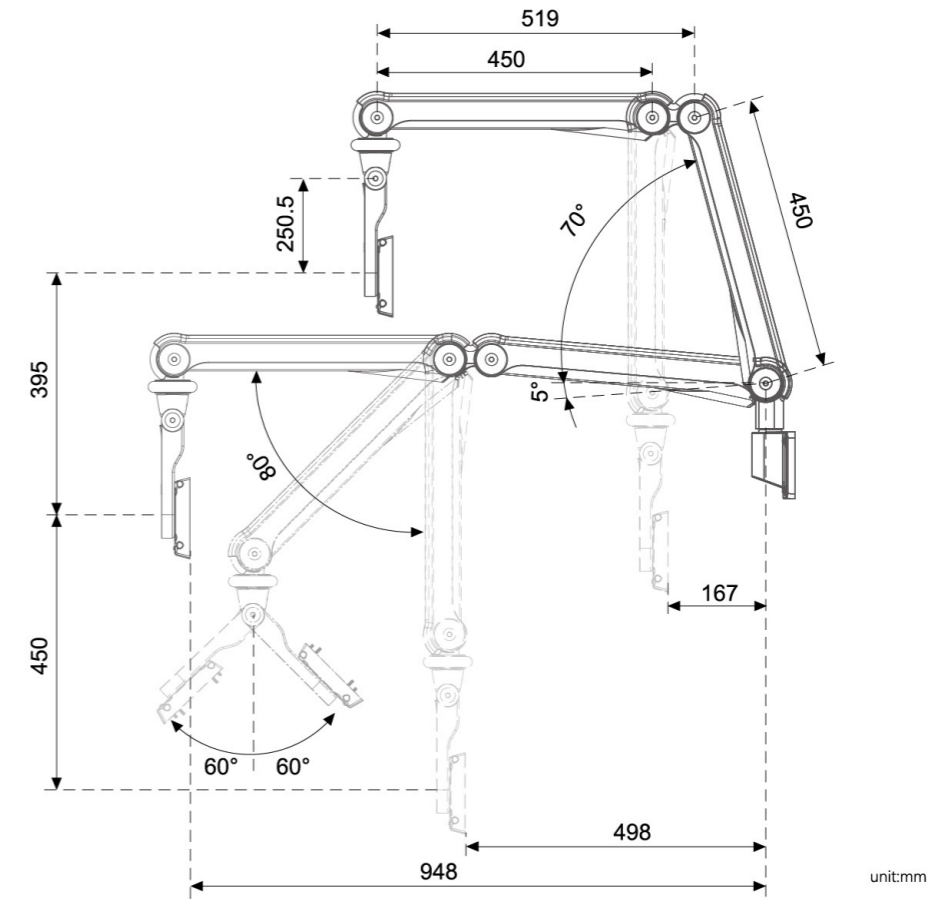


- HA-701**
 75/100mm
 max 0.8~3kg (1.76~6.6lbs)

- HA-721**
 75/100mm
 max 3~5.5kg (6.6~12.1lbs)



Easy Cable Installation and Replacement



unit:mm



HA-701P
Wall Mount



HA-702P
Wall Box



HA-605P
Extension Arm
Extension Length: 302mm



HA-606P
Extension Arm
W/ Wall Box
Extension Length: 302mm

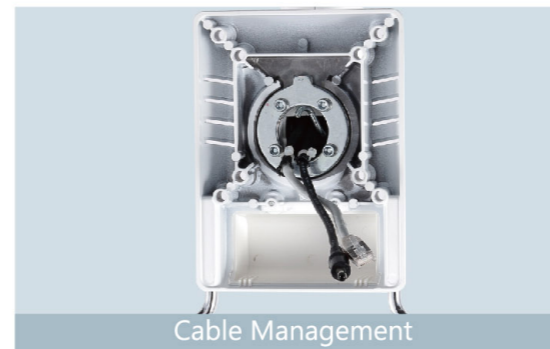


Hospital

LCD/TV Monitor Arm



- Sturdy material and easy to maintenance.
- Integrated cabling design.
- Rubber ring design for obstacle avoidance.
- Compact retracted position for space saving.
- Articulating arm for wide range of adjustment
- User friendly for patients and healthcare providers.



Cable Management



Tilt



Obstacle avoidance



Cable Concealment



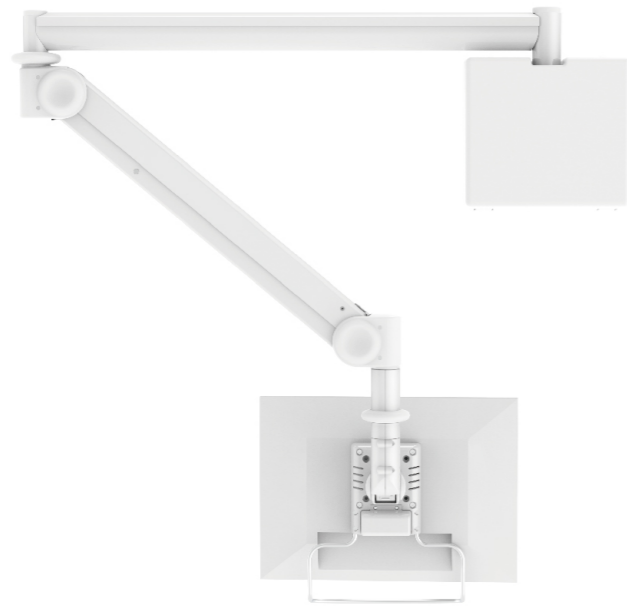
Rotation



Swivel



HA-N300 / N320 Series 

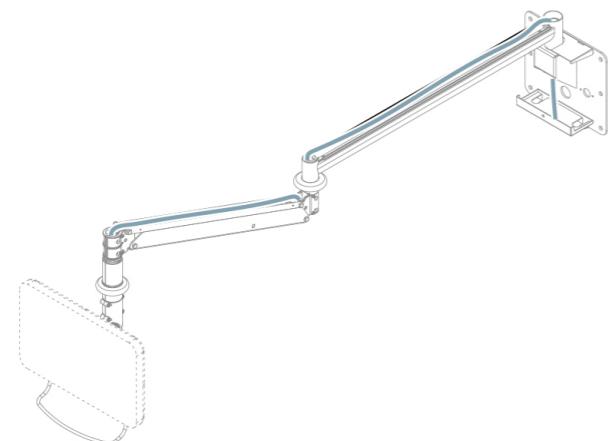
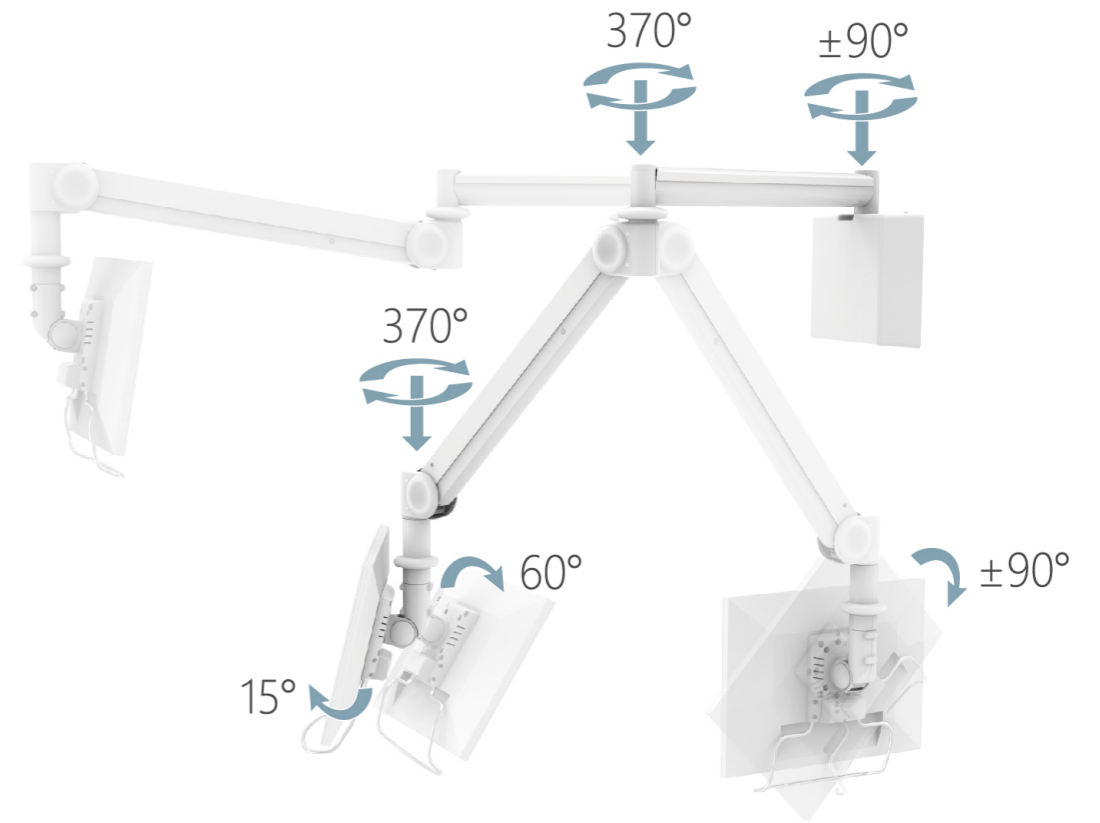


HA-N308

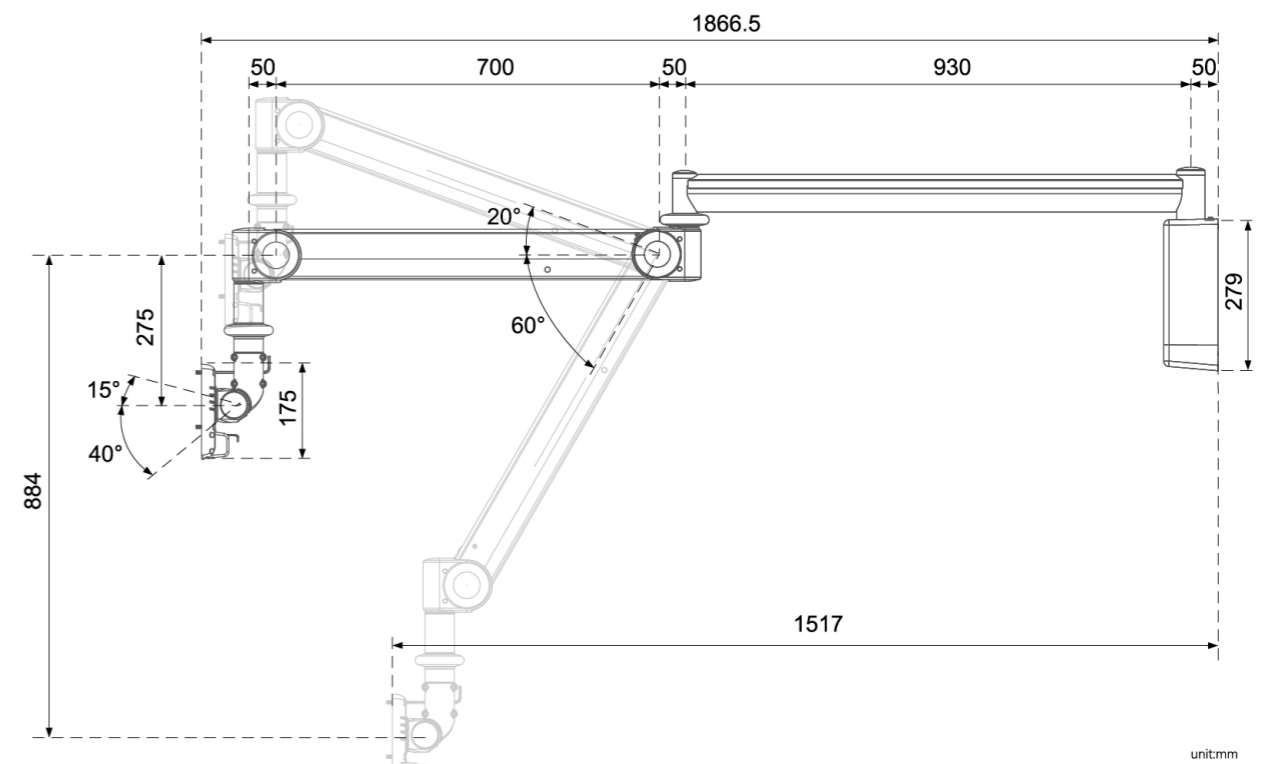
VESA 75/100mm
max 1~6kg (2.2~13.2lbs)

HA-N328

VESA 75/100mm
max 6~12kg (13.2~26.4lbs)



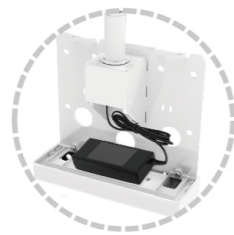
Easy Cable Installation and Replacement



unit:mm



HA-235P
Wall Mount



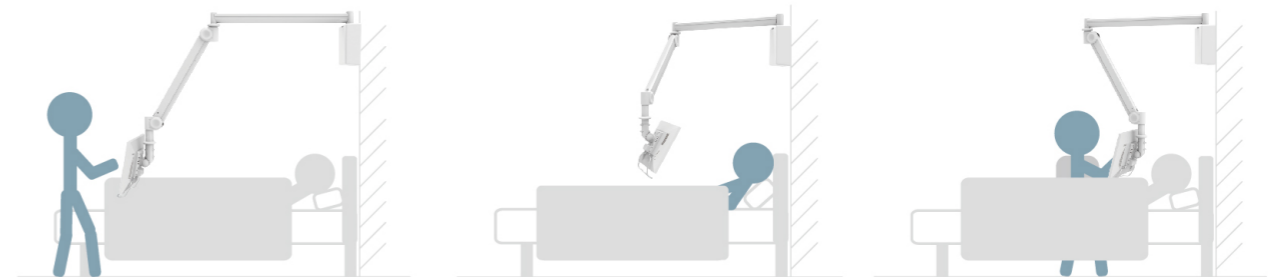
HAA-02
Wall Box



HA-237PC
Ceiling Mount



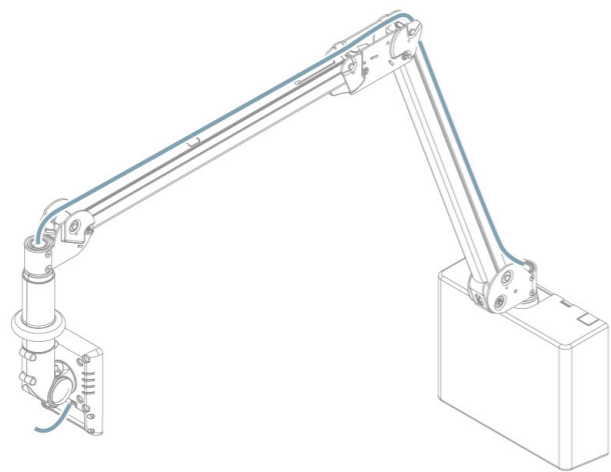
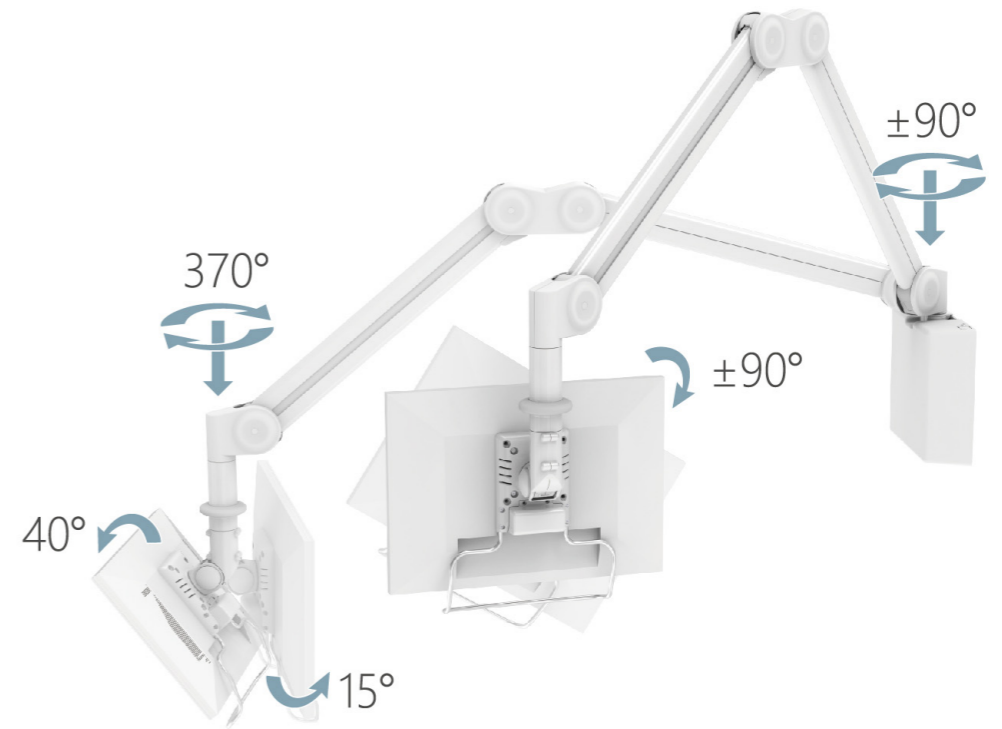
HAA-11
Keyboard Tray



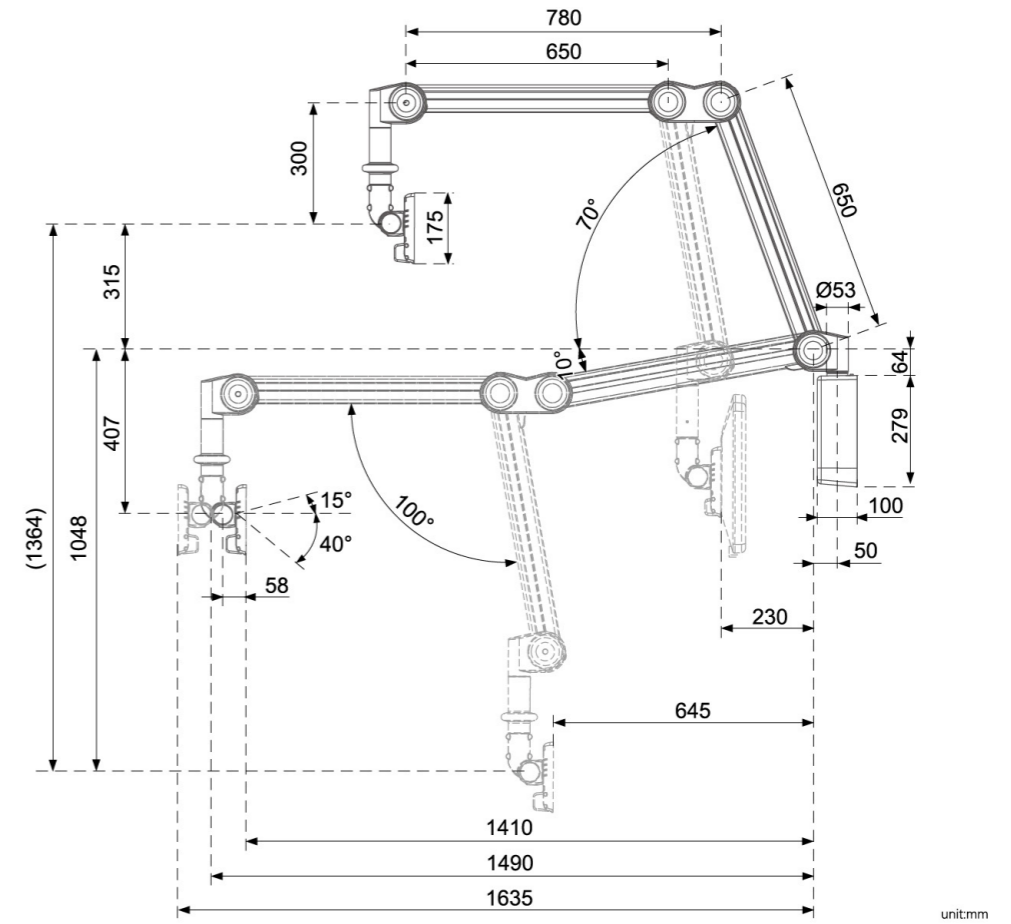
HA-500 Series



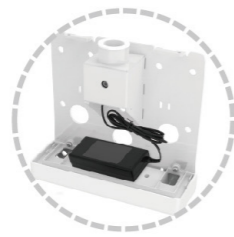
HA-508-W6
 VESA 75/100mm
 max 1~7 kg (2.2~15.4 lbs)



Easy Cable Installation and Replacement



HA-235PB
Wall Mount



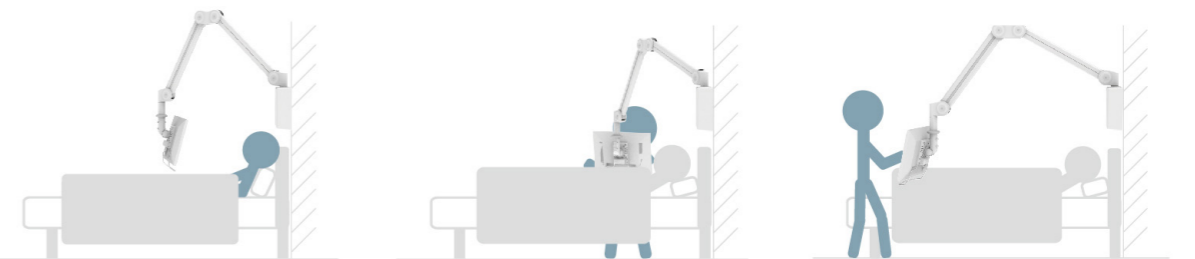
HAA-02B
Wall Box



HA-501P
Wall Mount



HAA-11
Keyboard Tray

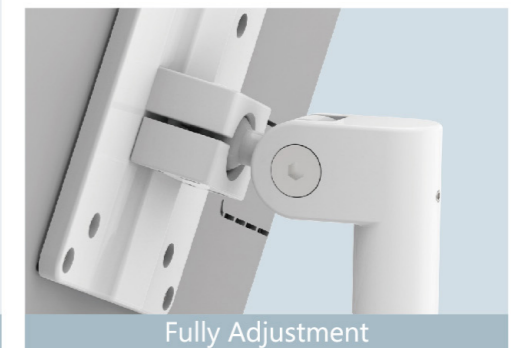
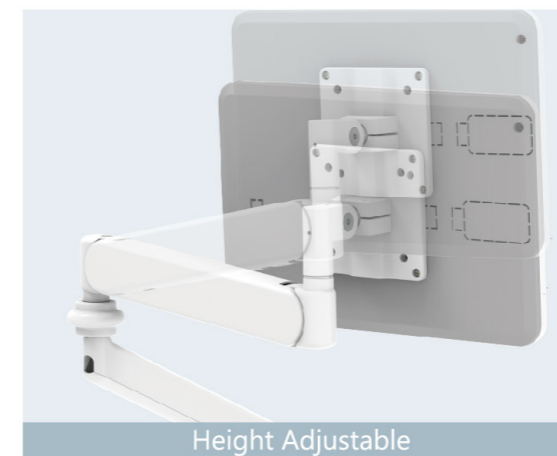
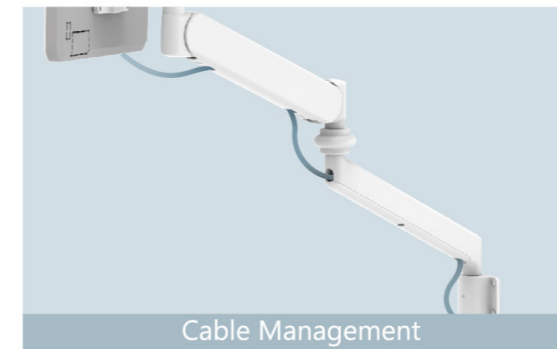


Minimal

Gas Spring Arm



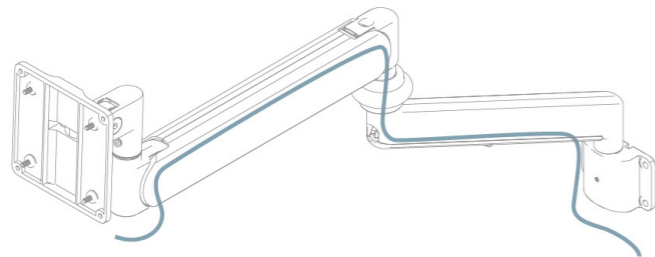
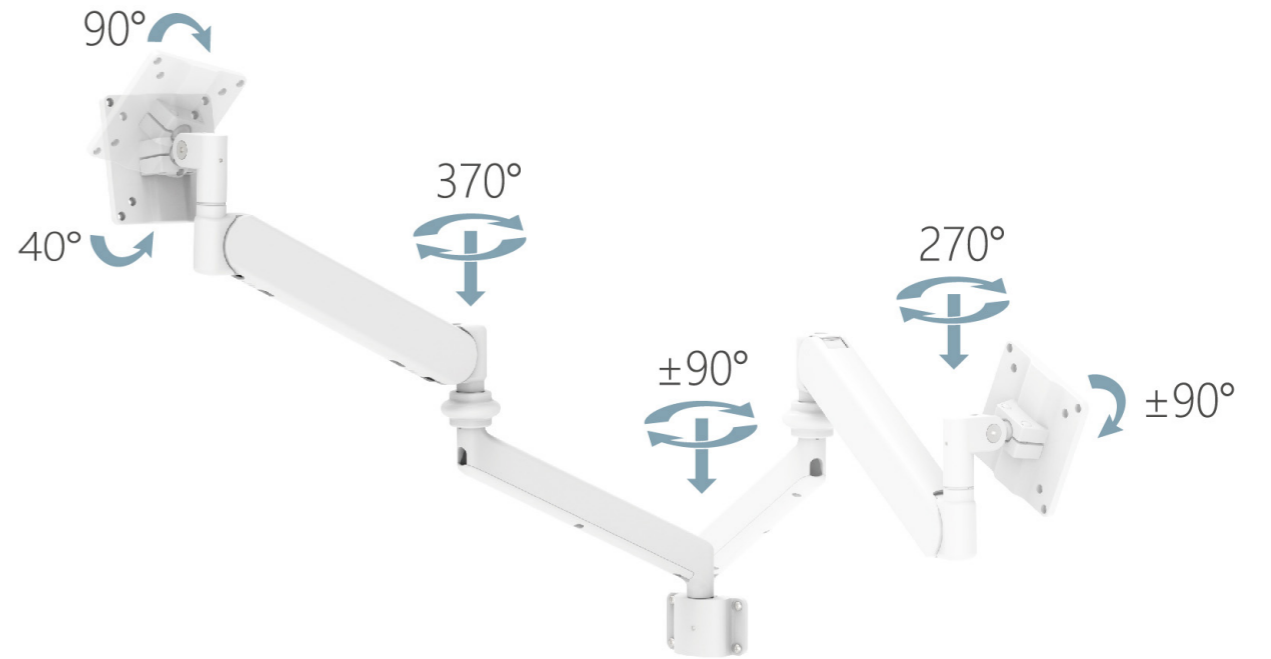
- Height adjustable.
- Wide range of viewing angle.
- Easy storage and position.
- Cable management.
- Durable and ergonomic design.



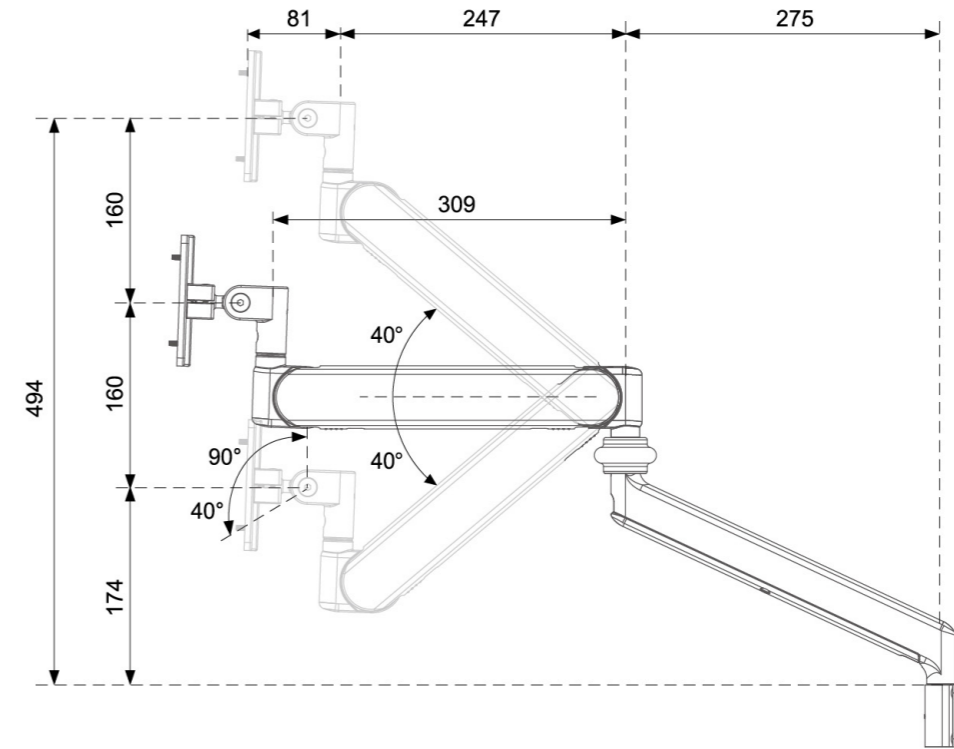
B-112 Series



B-112
 VESA 75/100mm
 max 0.9~3kg (1.9~6.6lbs)



Easy Cable Installation and Replacement



unit:mm



B-112
Wall Mount



B-112S
Cabinet Mount

Optional Tablet Holder

- Anti-Theft design.
- Compatible with VESA 75/100 mm
- Applicable Tablet size :
 Length : 234.5~260.5mm
 Width : 148~179mm
 Depth : 5.5~9mm



TAA-10
Tablet Holder



Other

Ergonomic Mounting Solution and Application



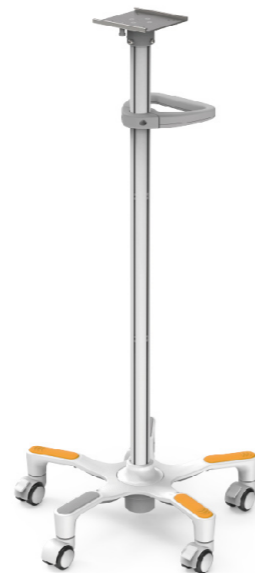
HC-181
 VESA 75/100mm
 max ~10kg (~22lbs)



HC-N151+HCA-N010
 VESA 75/100mm
 max ~10kg (~22lbs)



HC-361
 VESA 75/100mm
 max 1~8kg (~11~22lbs) weight capacity
 ~5kg (~11lbs) monitor arm



HC-525
 VESA 75/100mm
 max ~8kg (~44lbs) weight capacity



PA-24N
 Max size 15"
 max ~5kg (~11lbs)



PA-23
 VESA 75/100mm
 max ~6kg (~13.2lbs) / monitor weight



HM-8521
 max ~15kg (~33lbs)



HM-A8627
 VESA 75/100mm
 max ~6kg (~13.2lbs)



HM-100
 VESA 75/100mm
 max ~6kg (~13.2lbs)



HM-B5615
 VESA 75/100mm
 max ~9kg (~19.8lbs)