

# Digital Signage Mounting Solution

FREE YOUR LIVING SPACE

**MODERNSOLID**

LCD/TV/Tablet Mounting Solution  
**Digital Signage Mounting Solution**  
 FREE YOUR LIVING SPACE

Signage Stand



Tablet Mount



DISPLAY MOUNTS  
2018



Video Wall Mount



Wall Mount



2018.05

**MODERNSOLID INDUSTRIAL CO., LTD.**  
 NO.11-2, Wu Nan Rd., Wu Chi Dist., Taichung City 435, Taiwan.  
 TEL: 886-4-26397717 / 886-4-26398669 (Rep.) / FAX: 886-4-26398333  
 Website: www.modernsolid.com / www.mms-healthcare.com  
 E-mail: info@mosolid.com.tw



**MODERNSOLID**  
[www.modernsolid.com](http://www.modernsolid.com)

# Company Profile



**MODERNSOLID**, an ISO 9001 approved manufacturer, supplies since 1988 a wide range of Mounting Solutions that accommodates large and small displays for office, education, industrial, and healthcare market, etc.

As an awarded innovative company, **MODERNSOLID** keeps on top of the latest market trends and research in the technology field, and is dedicated to helping our partners find the best solution. We offer an entire range of products tailored to any market opportunities.

We support our customers in growing their business with innovative, high quality engineering products and years of manufacturing experience.

Contact us and let us support your growing business with **MODERNSOLID**-Products!

# Contents

Digital Signage Mounting Solution

03	<b>Video Wall Mount</b>
	Video Wall Mount
05	<b>Interactive Mobile Multimedia</b>
	Interactive Mobile Multimedia Cart Motorized Mobile Video Wall Cart
08	<b>Signage Stand</b>
	Signage Stand
10	<b>Tablet Mount</b>
	Tablet Mount Adjustable Arm for iPad
12	<b>Wall Mount</b>
	Wall Mount Fixed Wall Mount VESA Mount Adapter for LCD Monitors VESA Bracket Adapter

# Video Wall Mount

New



## Product Features

- Aligning the displays quickly.
- Push-out open Mount providing easy maintenance access.
- Tool-less design for convenient adjustment.
- Fit for Displays up to 50 kgs.
- VESA pattern: 100X100mm - 800mmX400mm.



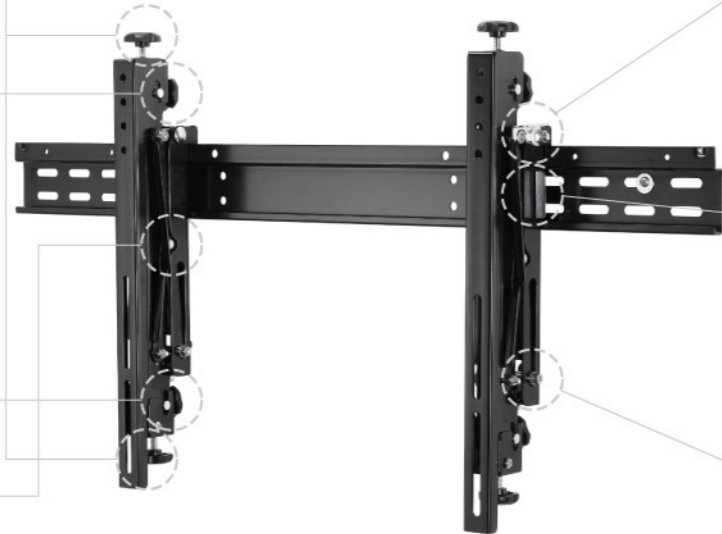
Fine tuning upward & downward



Fine tuning forward & backward



Conveniently cable management



■ Take PW-51-8 as an example



Secure hook prevents bracket rebounding



Safety lock makes bracket securely



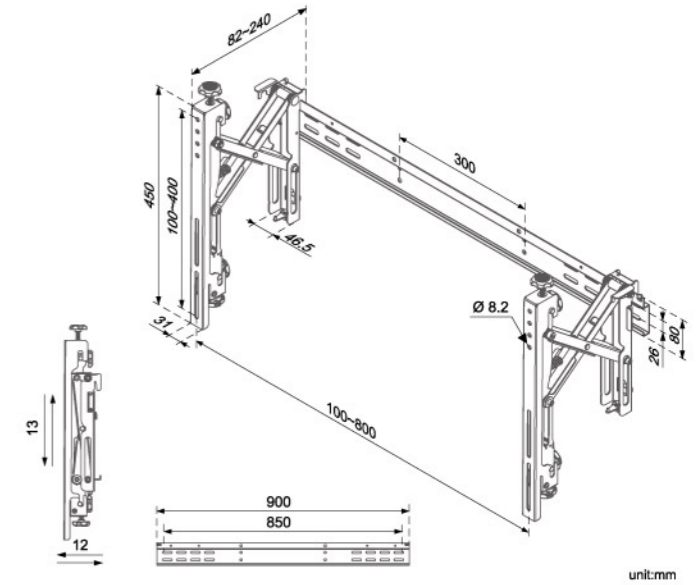
Special screw props on the wall makes bracket firmly

## Video Wall Mount



**PW-51-8**  
Horizontal Wall Mount

VESA Horizontal: 100~800mm  
Vertical: 100~400mm  
max ~50kg (110lbs)

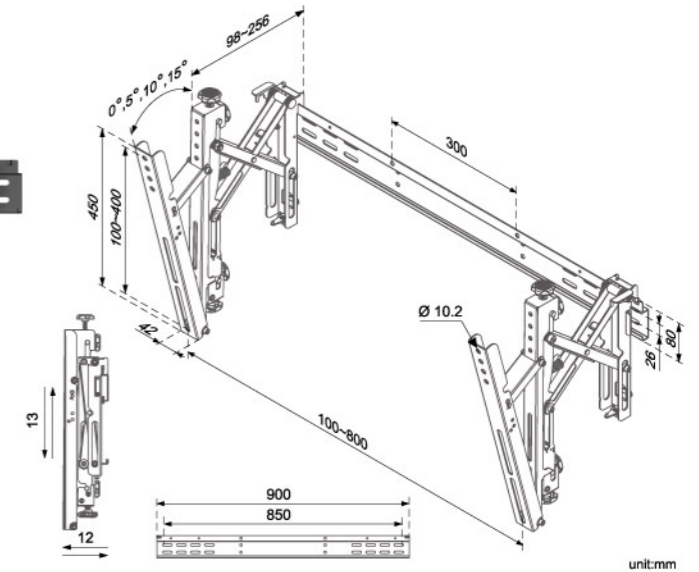


unit:mm



**PW-52-8**  
Tilt Wall Mount

VESA Horizontal: 100~800mm  
Vertical: 100~400mm  
max ~50kg (110lbs)

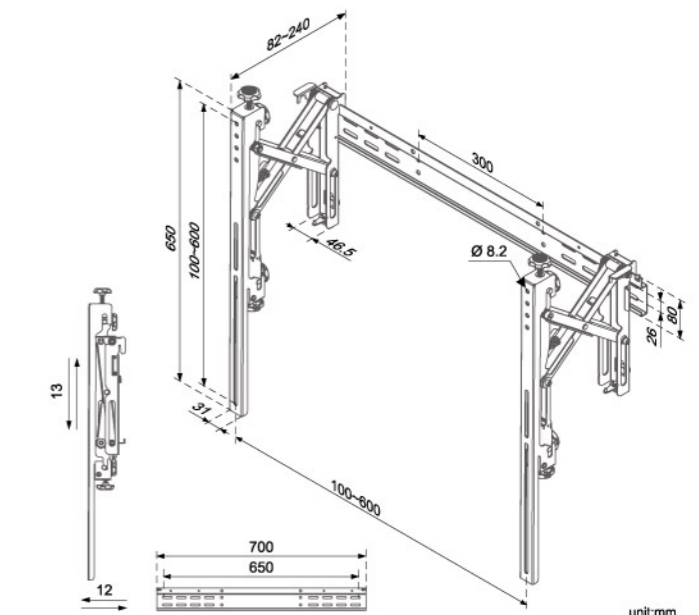


unit:mm



**PW-53-8**  
Vertical Wall Mount

VESA Horizontal: 100~600mm  
Vertical: 100~600mm  
max ~50kg (110lbs)



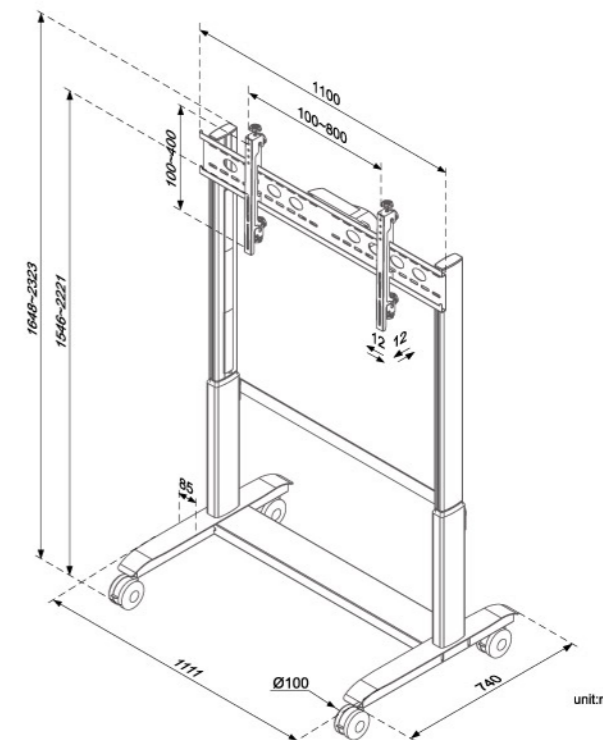
unit:mm

# Interactive Mobile Multimedia



## ► Motorized Mobile Video Wall Cart . . . . .

- Easy motorized vertical movement helps achieve the ideal viewing position.
- Smooth rolling casters for effortless movement.
- Cable management gives a neat look.



**PA-651**  
max ~100kg (220lbs)

## ► Interactive Mobile Multimedia Cart . . . . .

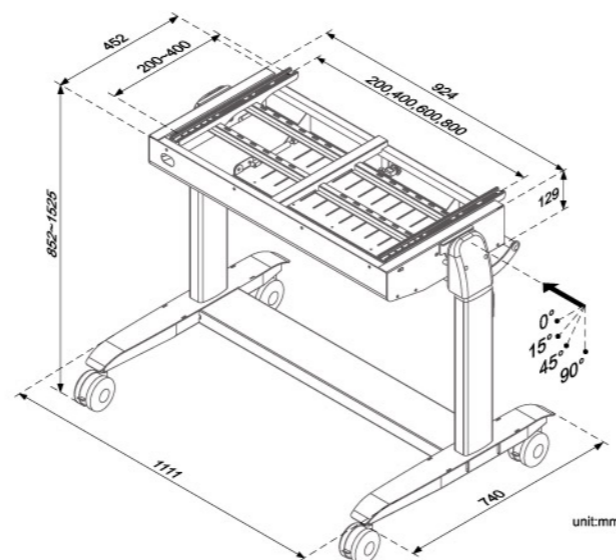
- Add flexibilities to multimedia, Internet and computer presentations.
- Easy movement helps make the communication more accessible and convenient.
- The motorized raising and lowering function ensures easy adjustment.
- Adjust the knob to give a different tilting angle.



Motorized height adjustment    Pull up the handle and tilt the display up or down    Anti-theft storage case



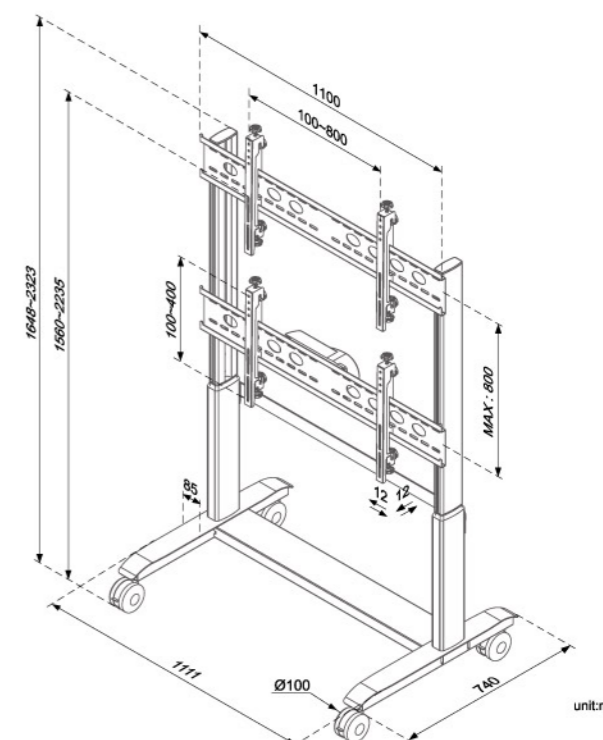
**PA-601**  
max ~55kg (121lbs)  
**PA-602**  
max ~100kg (220lbs)



• Adjustable height :  
from 852mm to 1525mm



• Display tilt angles :  
0°, 15°, 45°, 90°



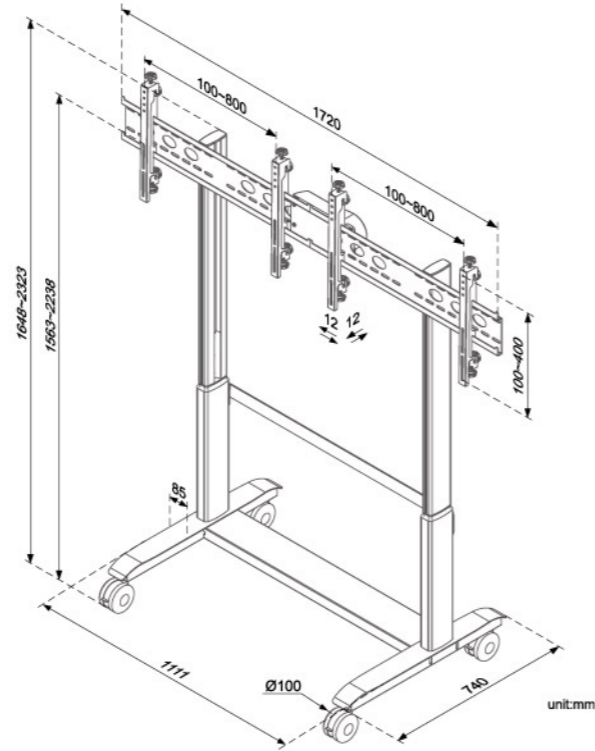
**PA-652**  
max ~100kg (220lbs)

## ▶ Motorized Mobile Video Wall Cart . . . . .

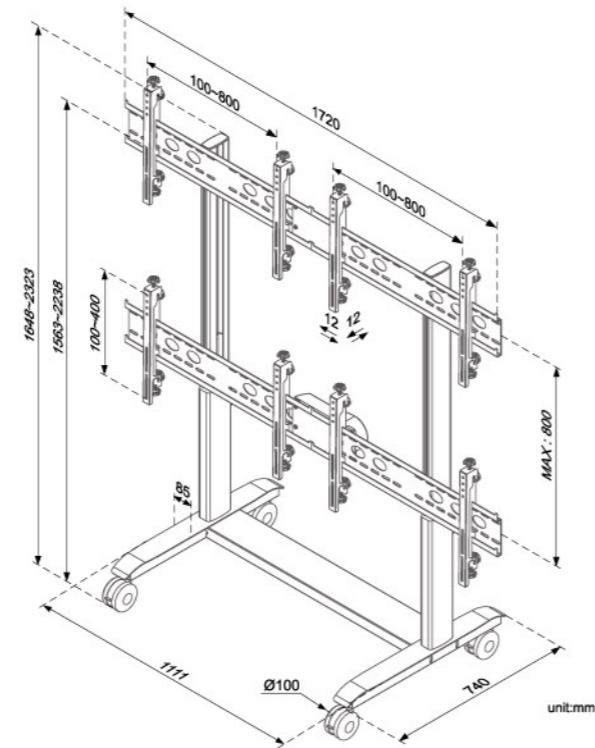
- Construct video walls in prominent locations where walls aren't available.
- High quality casters for smooth movement and positioning.
- Organized cable management.



**PA-653**  
max ~100kg (220lbs)



**PA-654**  
max ~100kg (220lbs)



# Signage Stand

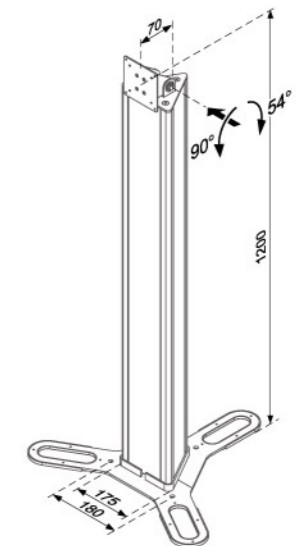
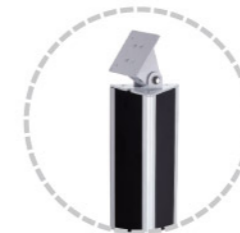


## ▶ Signage Stand . . . . .

- Add greater flexibility in displaying eye-catching visual advertising signs.
- Feature organized cable management to display the information in the finest manner.
- Screen tilt adjustment offers the best viewing comfort.
- A sturdy enclosure can be attached to the stands for holding iPads/tablets.



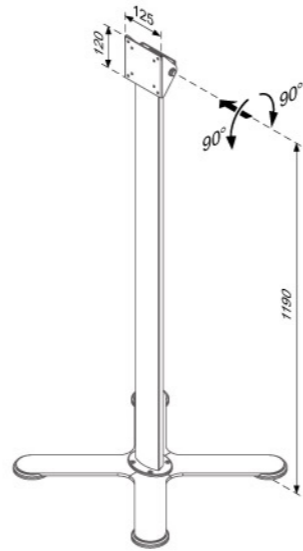
**PA-351**  
max ~18kg (39.6lbs)  
~32"



unit:mm

## ▶ Signage Stand

- Feature organized cable management to display the information in the finest manner.
- A sturdy enclosure can be attached to the stands for holding iPads/tablets.
- Screen tilt adjustment offers the best viewing comfort.



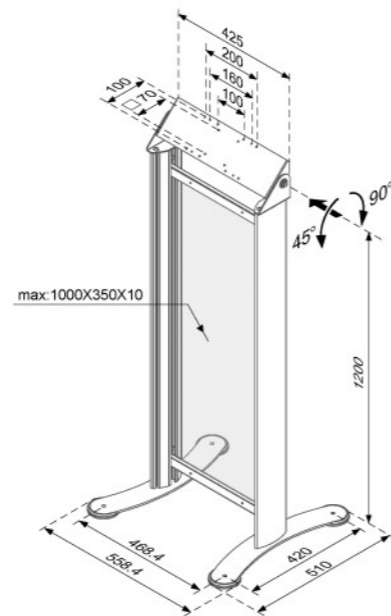
unit:mm

### PA-361

- max ~10 kg (22 lbs)
- ~24"

## ▶ Signage Stand

- Add greater flexibility in displaying eye-catching visual advertising signs.
- Feature organized cable management to display the information in the finest manner.
- Screen tilt adjustment offers the best viewing comfort.



unit:mm

### PA-362

- max ~18 kg (39.6 lbs)
- ~32"

# T a b l e t M o u n t



Color  Silver  White  Bronze

## ▶ Tablet Mount

- Fits tablets to the maximum 12.9 inch.
- Easily adjust tablet to the best viewing angle and position.
- Modern slim design and multiple color options.



Cable Management



Tools Storage

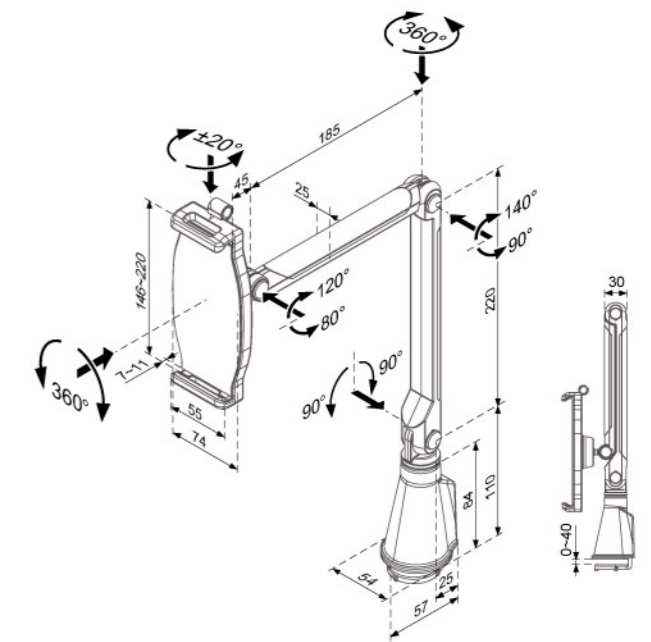


New Clamp Type



### TA-321

- max ~0.75 kg (1.65 lbs)



unit:mm

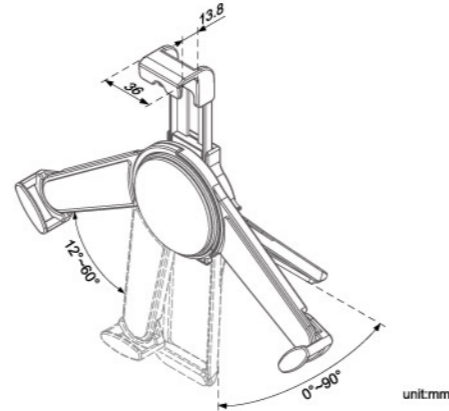
## ▶ Adjustable Arm for iPad

- Fits 7"~10.1" iPad and tablets.
- Free your hands with this iPad stand.
- Ergonomically height adjustable.
- Rotates 180° left and right to accommodate suitable viewing position.
- Supports iPad and tablets in portrait or landscape mode.
- iPad can be easily placed into the three corners of the holder for secure placement.



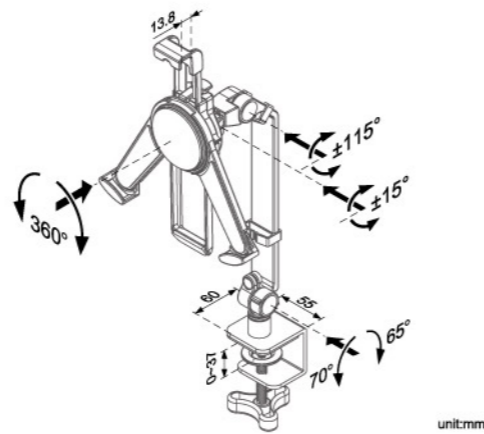
**TA-101**

max ~1kg (2.2lbs)



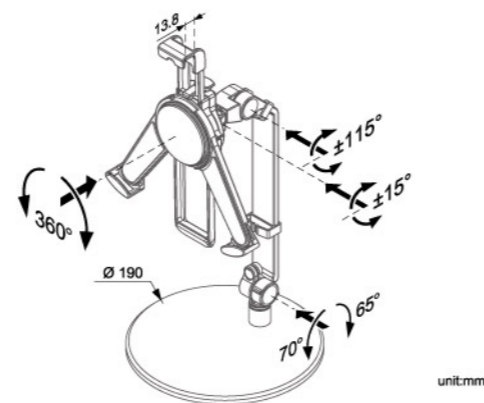
**TA-111**

max ~1kg (2.2lbs)



**TA-131**

max ~1kg (2.2lbs)



## Wall Mount

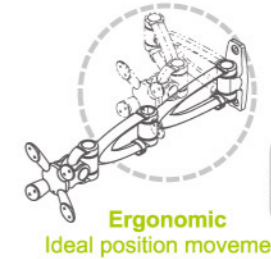


## ▶ Wall Mount

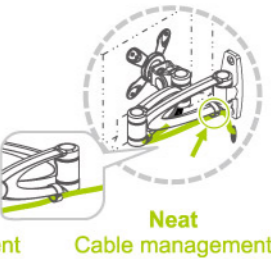
- It is made of high quality aluminum alloy.
- Flexible combinations meet the needs of various markets.
- Aesthetic design offers a pleasant environment.
- Easy and efficient cable mangement.
- Broad range of flexibility.
- Saving the working space.
- Quick and simple installation.



Quick Monitor installation



Ergonomic Ideal position movement



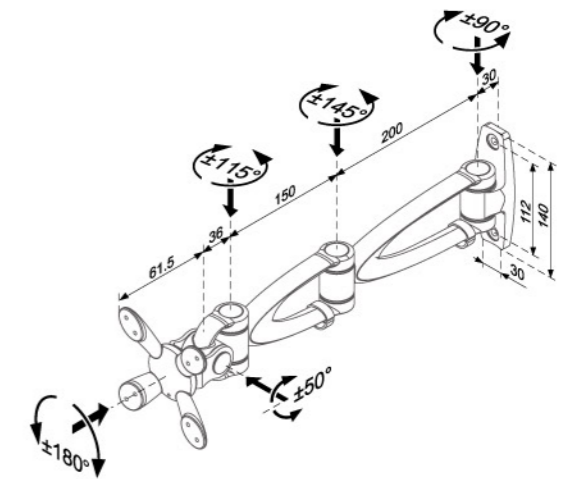
Neat Cable management



**LA-65-1**

VESA 75/100mm

max ~15kg (33lbs)

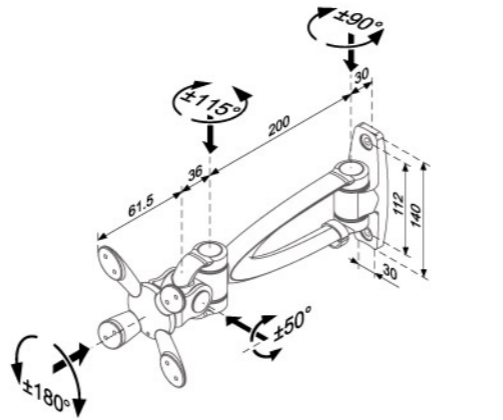


unit:mm

▶ Wall Mount . . . . .



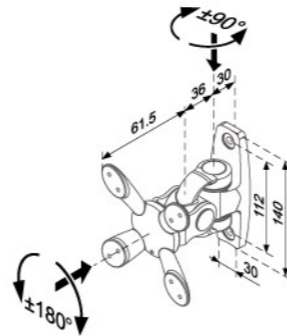
**LA-65-2**  
 VESA 75/100mm  
 max ~15kg (33lbs)



unit:mm



**LA-65-3**  
 VESA 75/100mm  
 max ~15kg (33lbs)

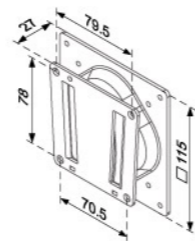


unit:mm

▶ Fixed Wall Mount . . . . .



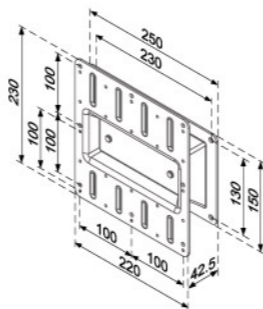
**LA-10AC**  
 VESA 75/100mm  
 max ~20kg (44lbs)



unit:mm



**LA-10H**  
 VESA 100/200mm  
 max ~35kg (77lbs)



unit:mm

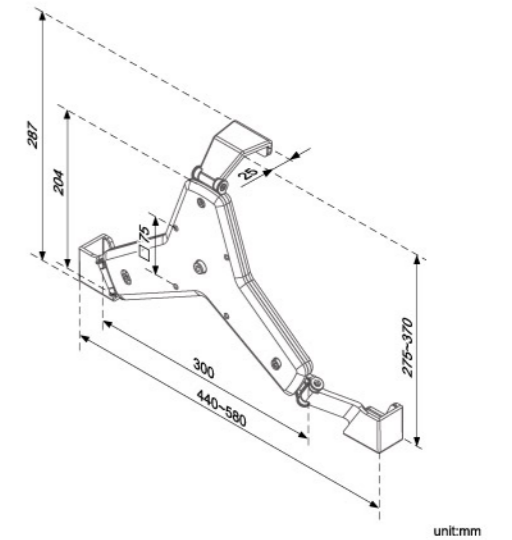
Attachment Option

▶ VESA Mount Adapter for LCD Monitors . . . . .

- Features a lightweight and streamlined design.
- Fits 19"-24" LCD Monitors.
- Helps LCD Monitors to be used with various mounting solutions for ergonomic benefits.
- Connects any VESA-compliant mounting solution with a 75 mm x 75 mm attachment.
- LCD Monitors easily snaps into holder on the three corners for secure placement.



**OP-035**  
 max ~15kg (33lbs)



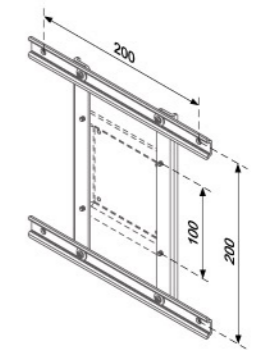
unit:mm

Attachment Option

▶ VESA Bracket Adapter . . . . .



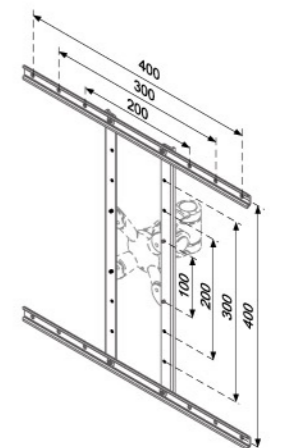
**OP-025**  
 VESA 100/200mm  
 Compatible with any LCD mount that uses 100X100mm VESA mounting hole pattern



unit:mm



**OP-026**  
 VESA 200/300/400mm  
 Compatible with any LCD mount that uses 100X100mm VESA mounting hole pattern



unit:mm